

Teileliste und Naehinrichtungen
Parts List and Sewing Equipment

540 - 100; - 100-01; - 300

DÜRKOPP ADLER AG

Postfach 17 03 51, D-33703 Bielefeld • Potsdamer Straße 190, D-33719 Bielefeld
Telefon +49 (0) 5 21/ 9 25-00 • Telefax +49 (0) 5 21/ 9 25 24 35 • www.duerkopp-adler.com

| | | | |
|--------------------------------------|--|--|--|
| Ausgabe / Edition: 11/2009 | Aenderungsindex Rev. index: 02.0 | Printed in Federal Republic of Germany | Teile-Nr./Part.-No.: 0791 540801 |
|--------------------------------------|--|--|--|

540 - 100; - 100-01; - 300

| Inhalt | Tafel / Table | Contents |
|--------------------------------------|---------------|------------------------------------|
| Maschinenoberteil | 1 - 5 | Machine head |
| Oberfadenschere | 6 | Upper thread scissors |
| Untersfadenschere | 7 | Lower thread scissors |
| Abschneiderplatten | 8 | Cutter plate |
| Luefterhebel | 9 | Lifter lever |
| Greifer und Greiferschmierung | 10 | Hook and hook lubrication |
| Klammer | 11 | Clamp |
| Spannungsplatte | 12 - 13 | Tension plate |
| Spulerdeckel | 14 | Winder cover |
| Traegerplatte kpl. | 15 | Bearer plate cpl. |
| Anschlag kpl. | 16 | Stop cpl. |
| Arm und Grundplatte | 17 | Arm and bed-plate |
| Antriebsmotor | 18 | Drive motor |
| Magnetventile | 19 | Solenoid valve |
| Wartungseinheit | 20 | Maintenance unit |
| Gestell | 21 | Stand |
| Monitor und Naehleuchte | 22 | Monitor and sewing lamp |
| Spuler | 23 | Winder |
| Abstandslineal | 24 | Distance ruler |
| Schablonenanschlag | 25 | Template stop |
| Schwenkvorrichtung und Nadelkuehlung | 26 | Swinging device and needle cooling |
| Absaugeinrichtung | 27 | Suction device |
| Beipack | 28 | Accessories |
| Naeheinrichtungen | | Sewing equipment |
| Plaene | | Plans |

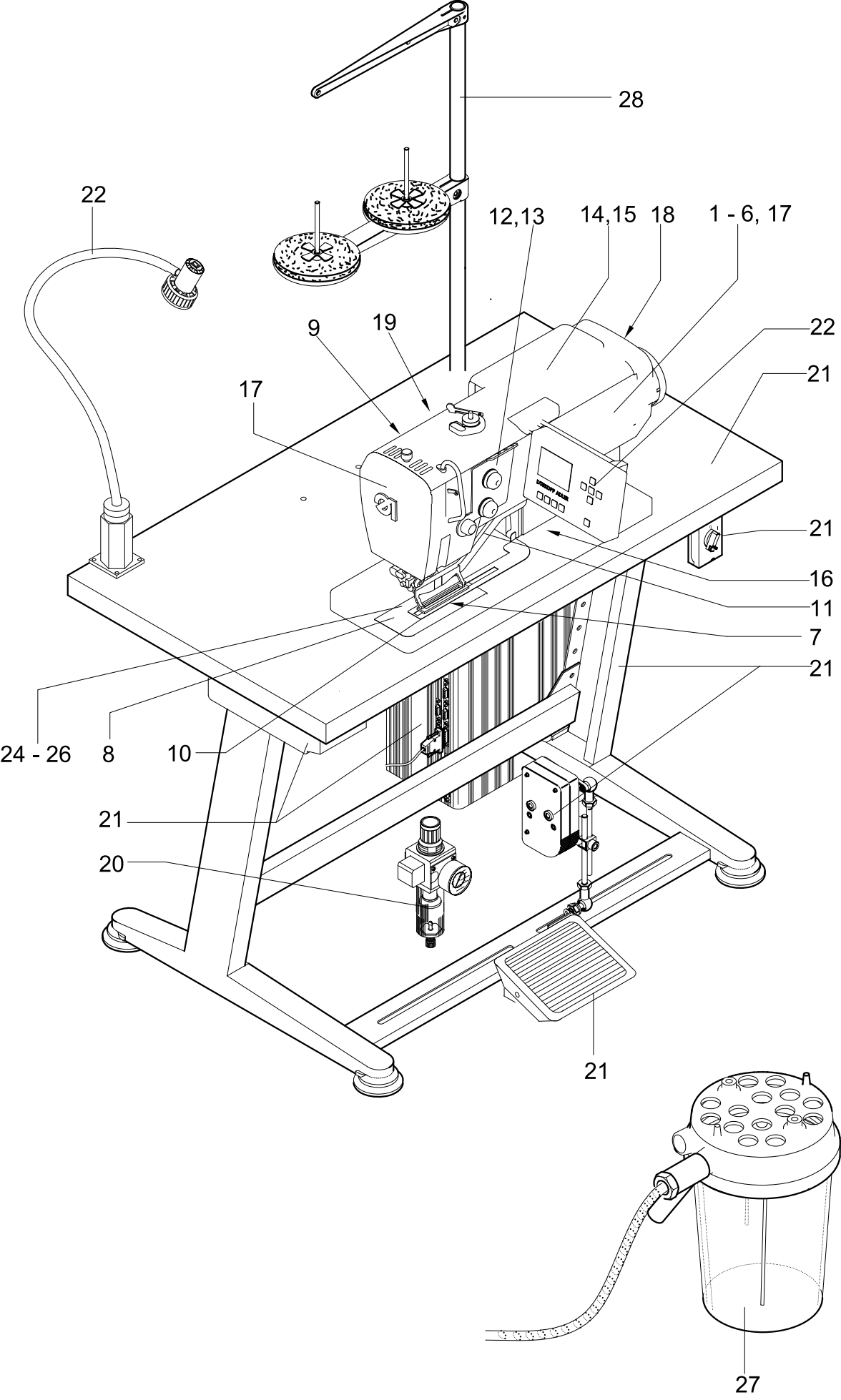
Alle Rechte vorbehalten.

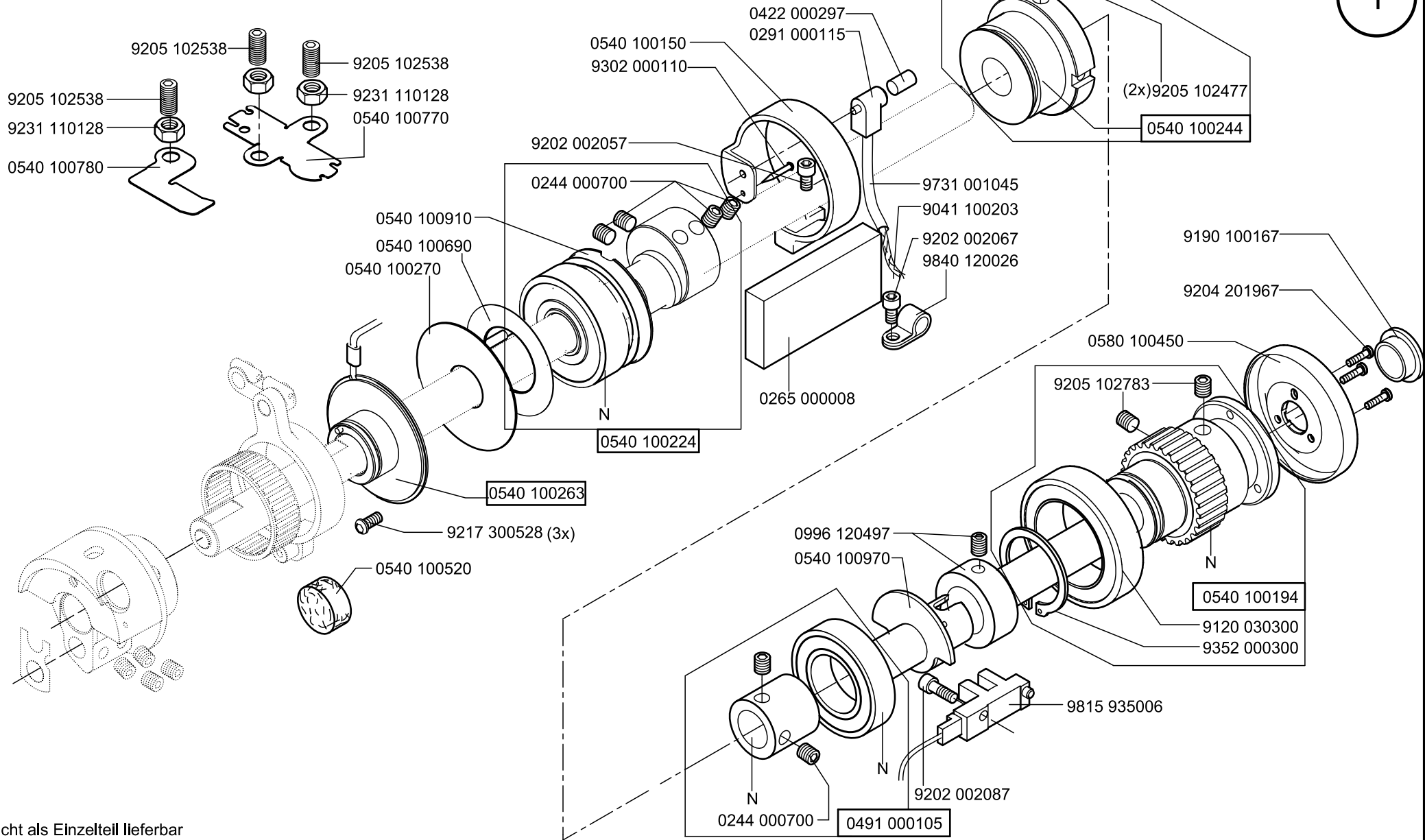
Eigentum der Dürkopp Adler AG und urheberrechtlich geschützt. Jede, auch auszugsweise Wiederverwendung dieser Inhalte ist ohne vorheriges schriftliches Einverständnis der Dürkopp Adler AG verboten.

All rights reserved.

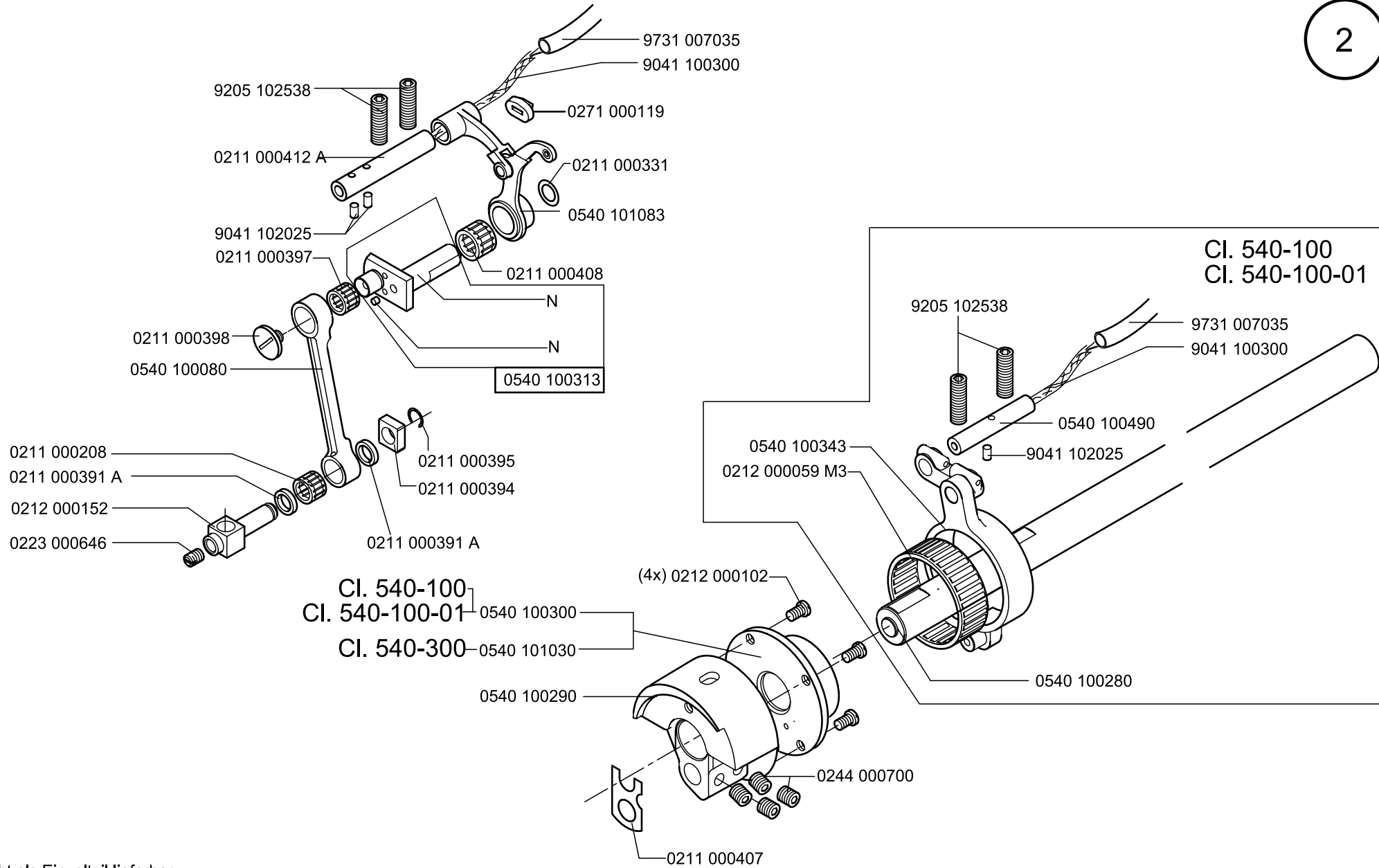
Property of Dürkopp Adler AG and copyrighted. Reproduction or publication of the content in any manner, even in extracts, without prior written permission of Dürkopp Adler AG, is prohibited.

Copyright © **Dürkopp Adler AG - 2009**



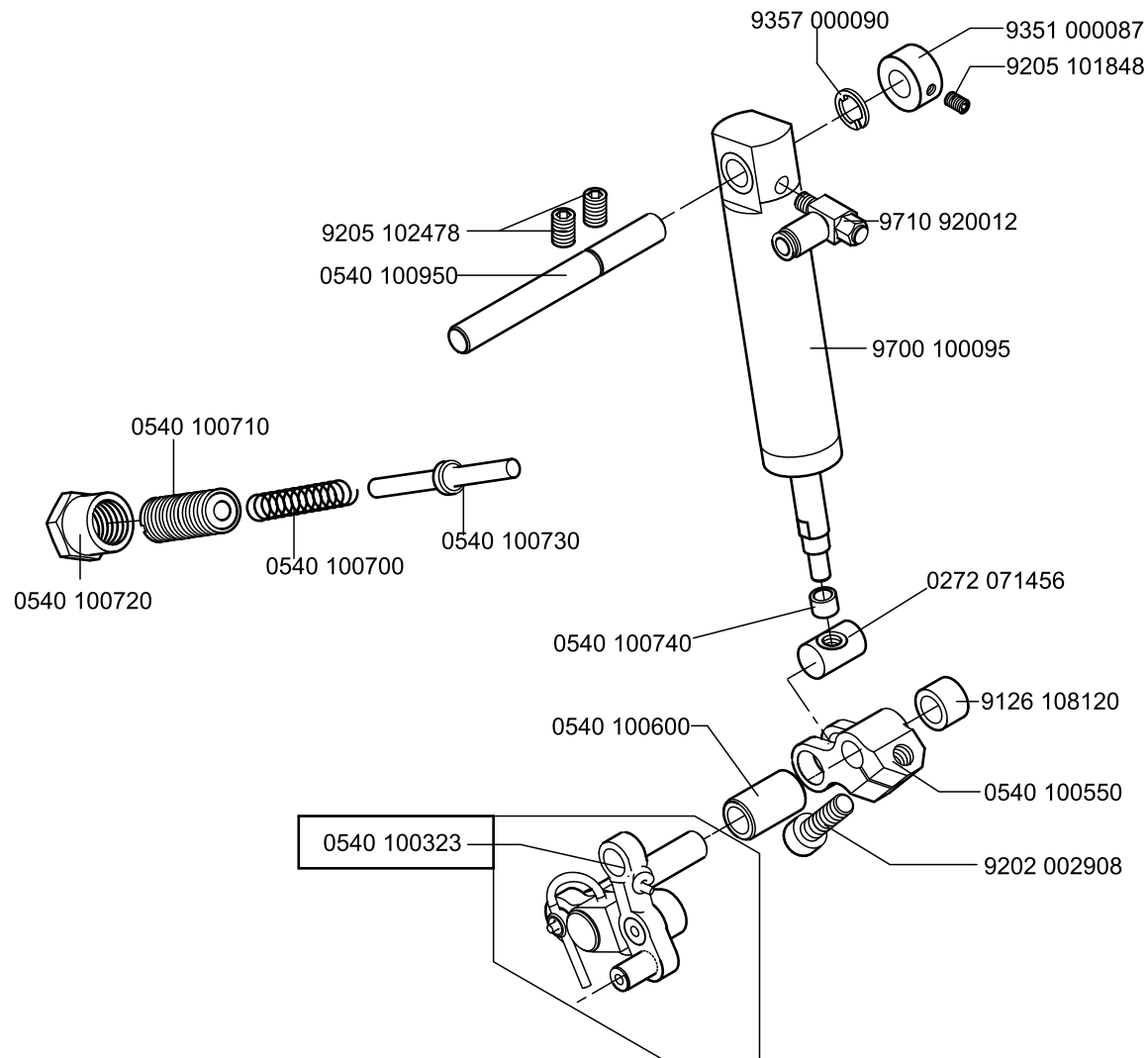


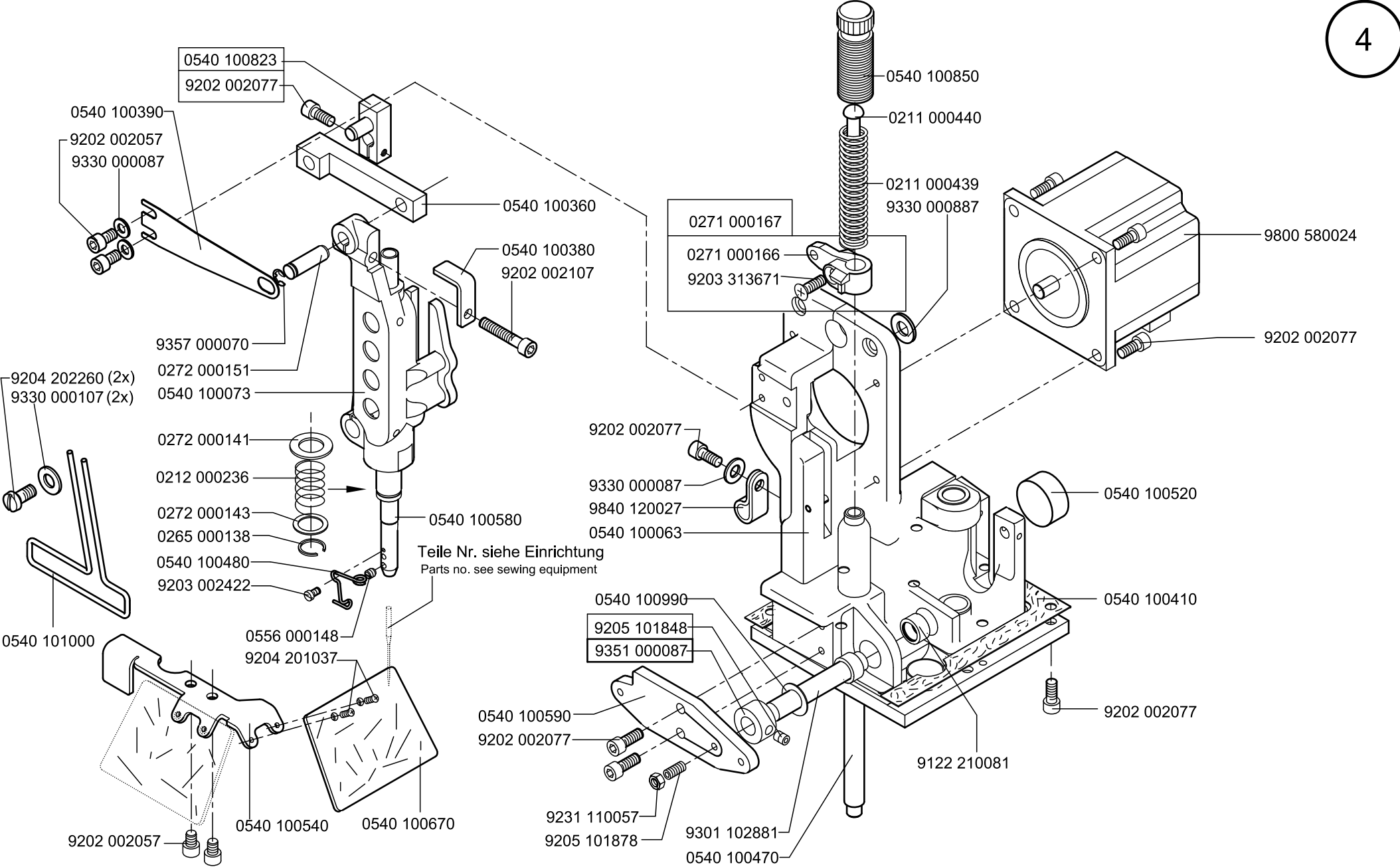
N- nicht als Einzelteil lieferbar
not available as separate part



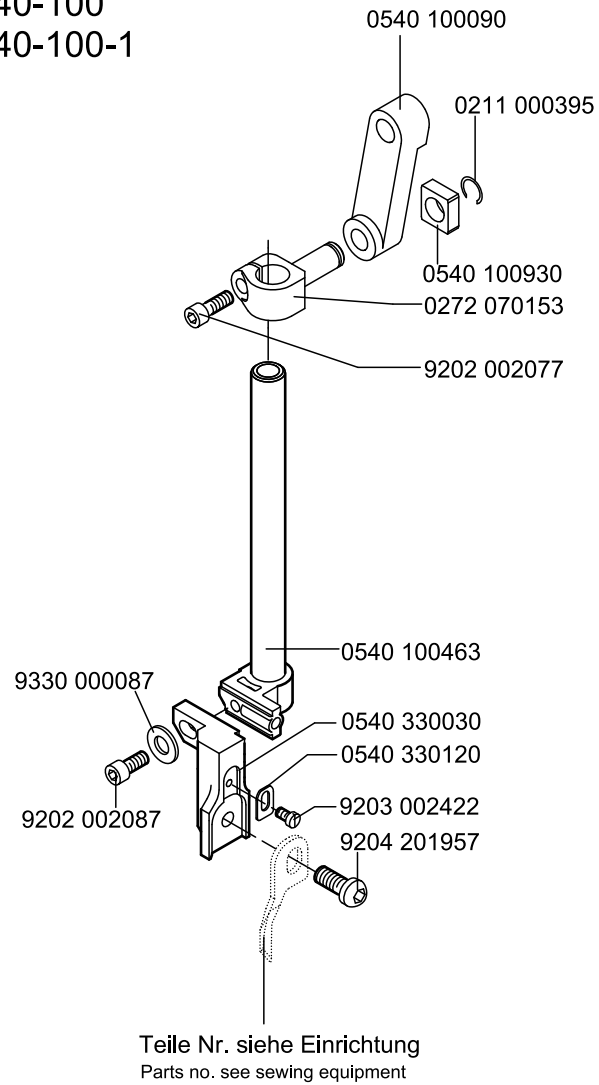
CI. 540-100
 CI. 540-100-01
 CI. 540-300

N- nicht als Einzelteil lieferbar
 not available as separate part



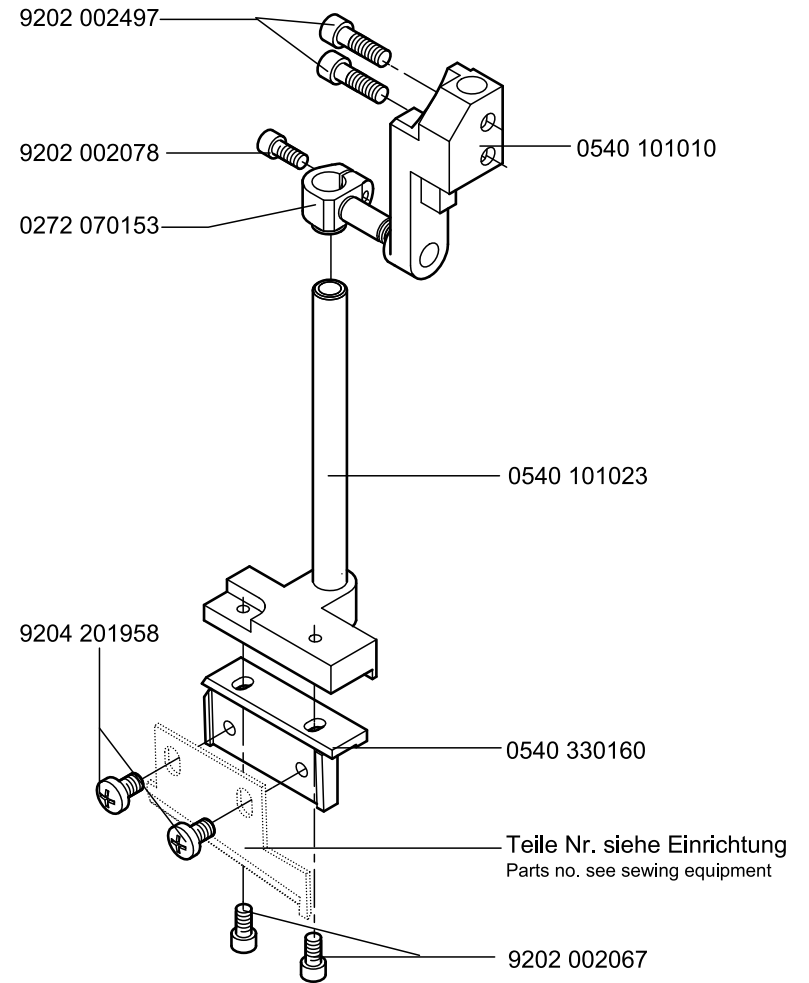


Cl. 540-100
Cl. 540-100-1



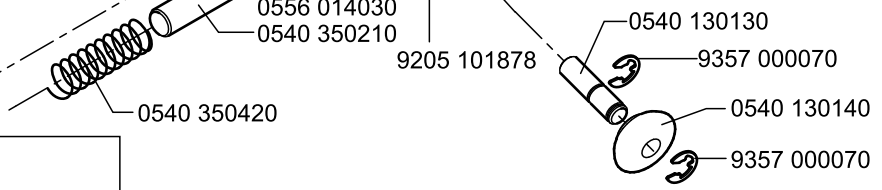
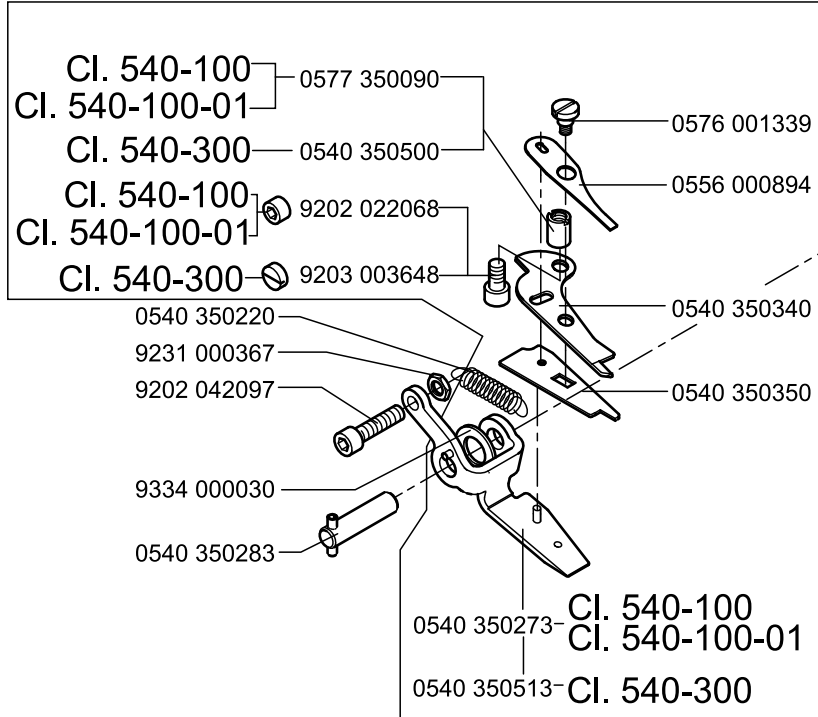
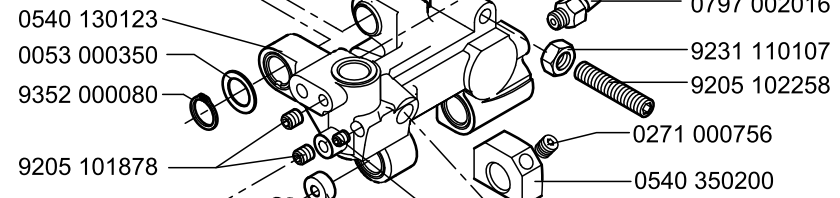
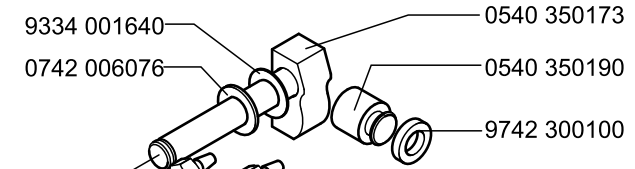
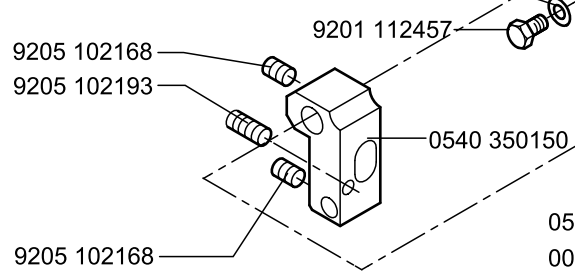
Cl. 540-300

5



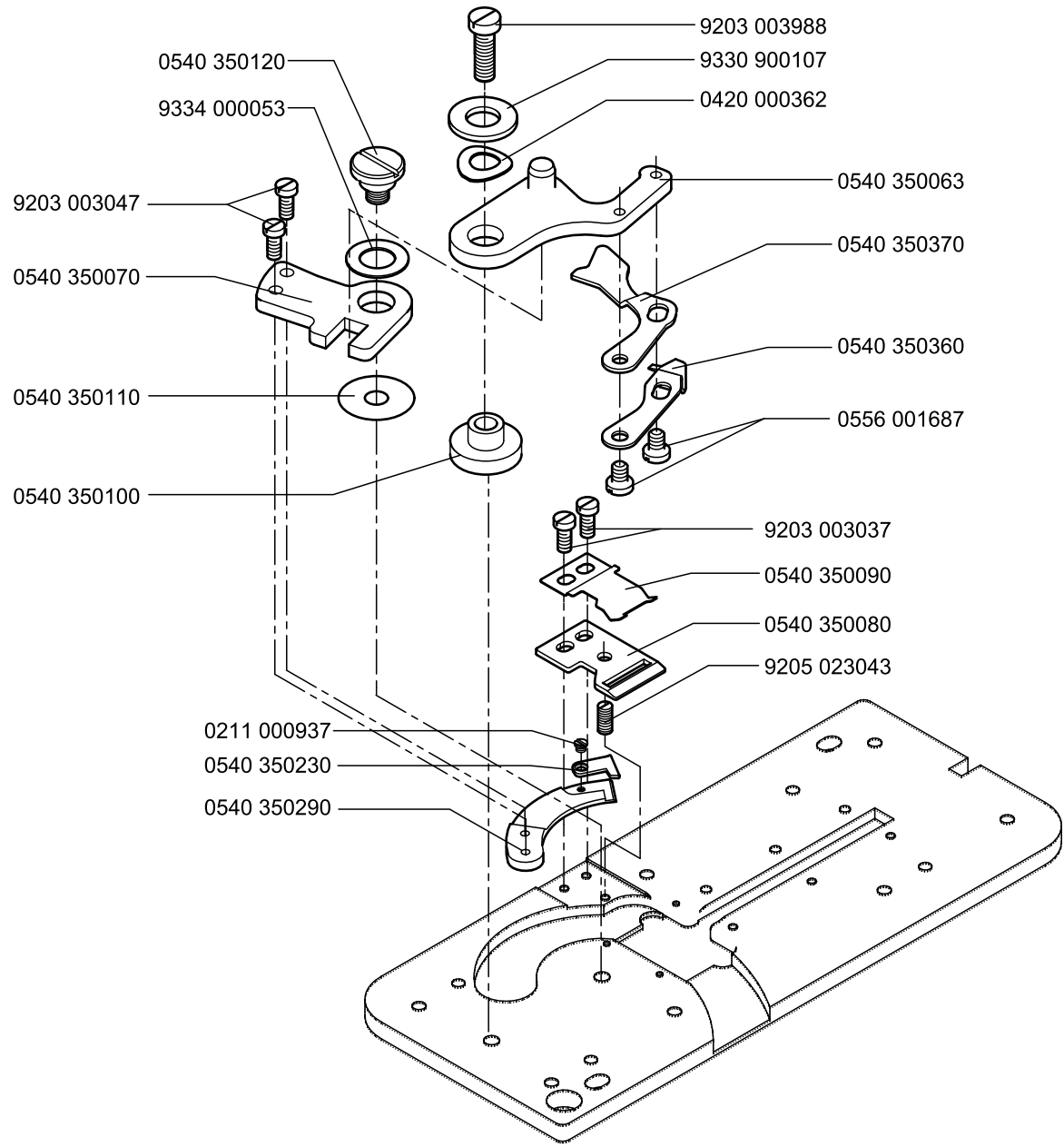
CI. 540-100
CI. 540-100-01

CI. 540-300

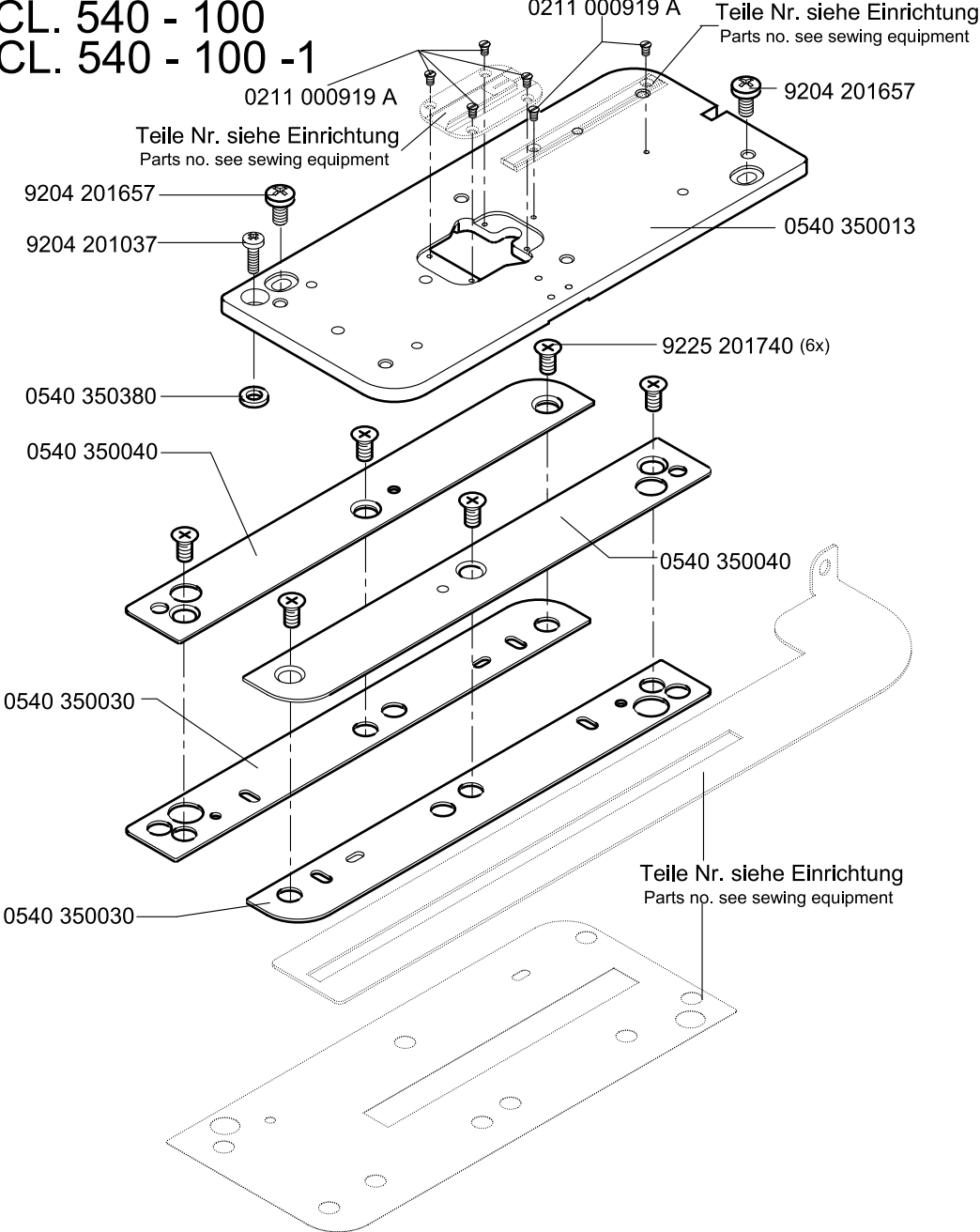


0540 350274 — CI. 540-100
CI. 540-100-01

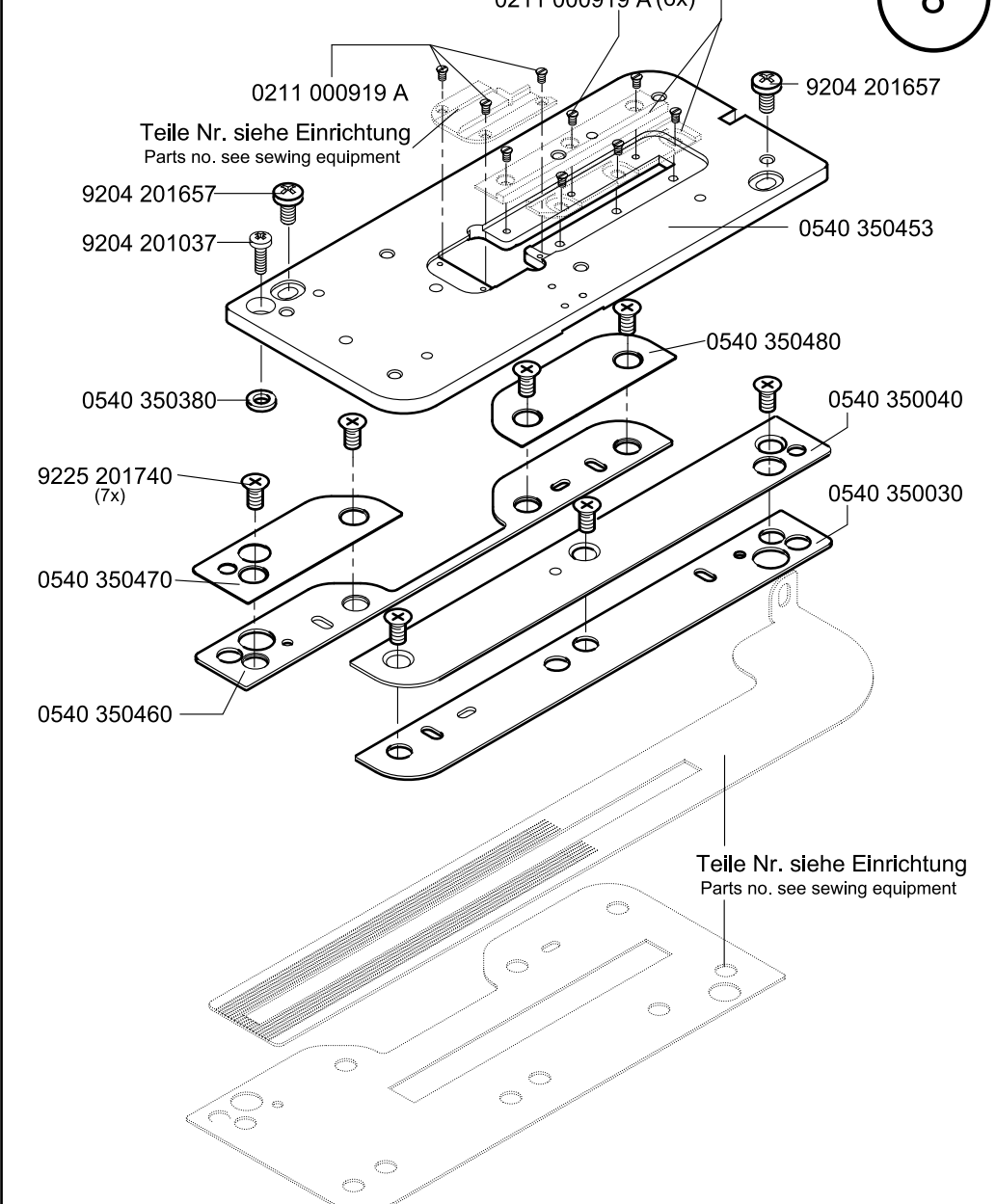
0540 350514 — CI. 540-300

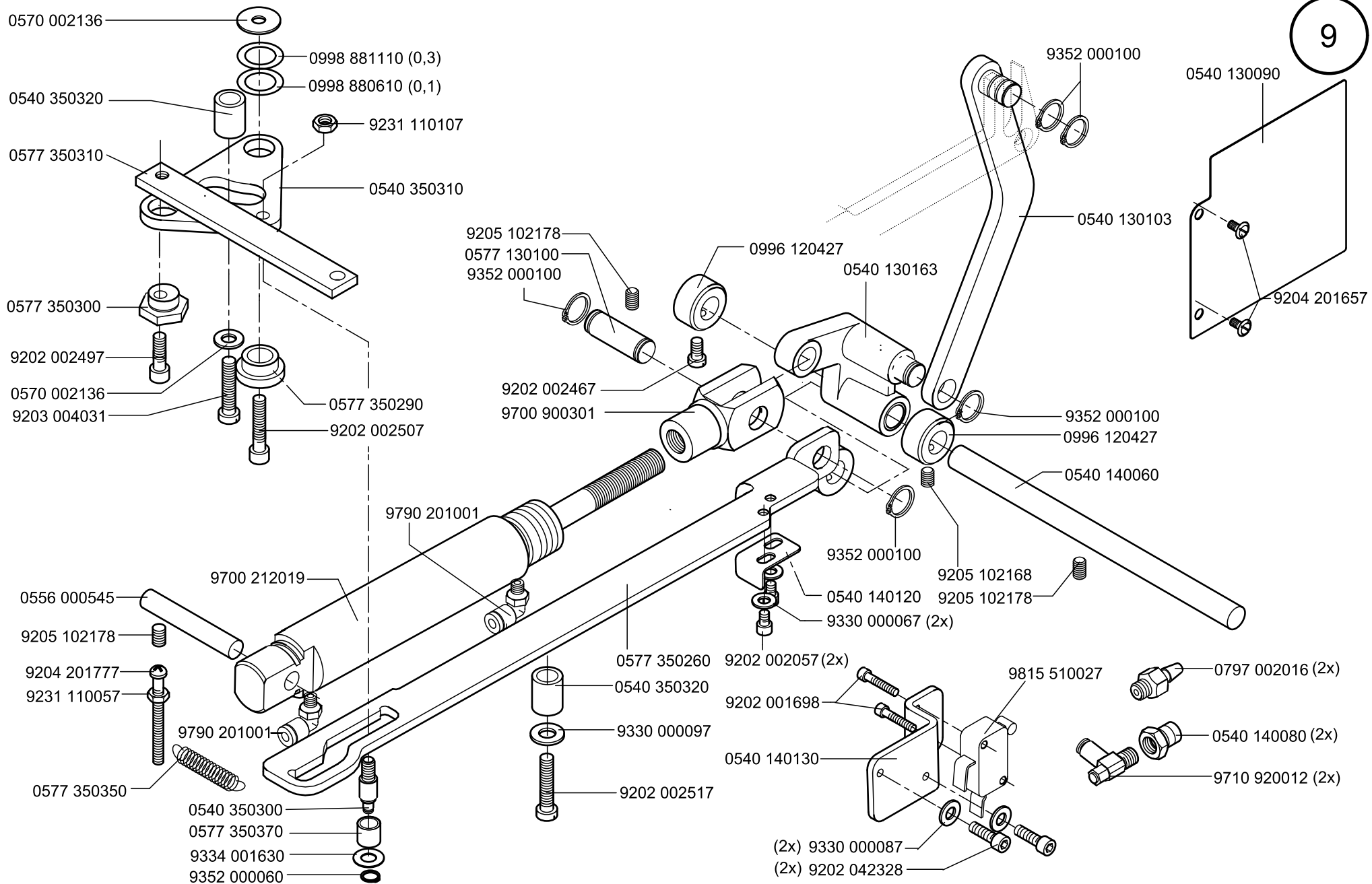


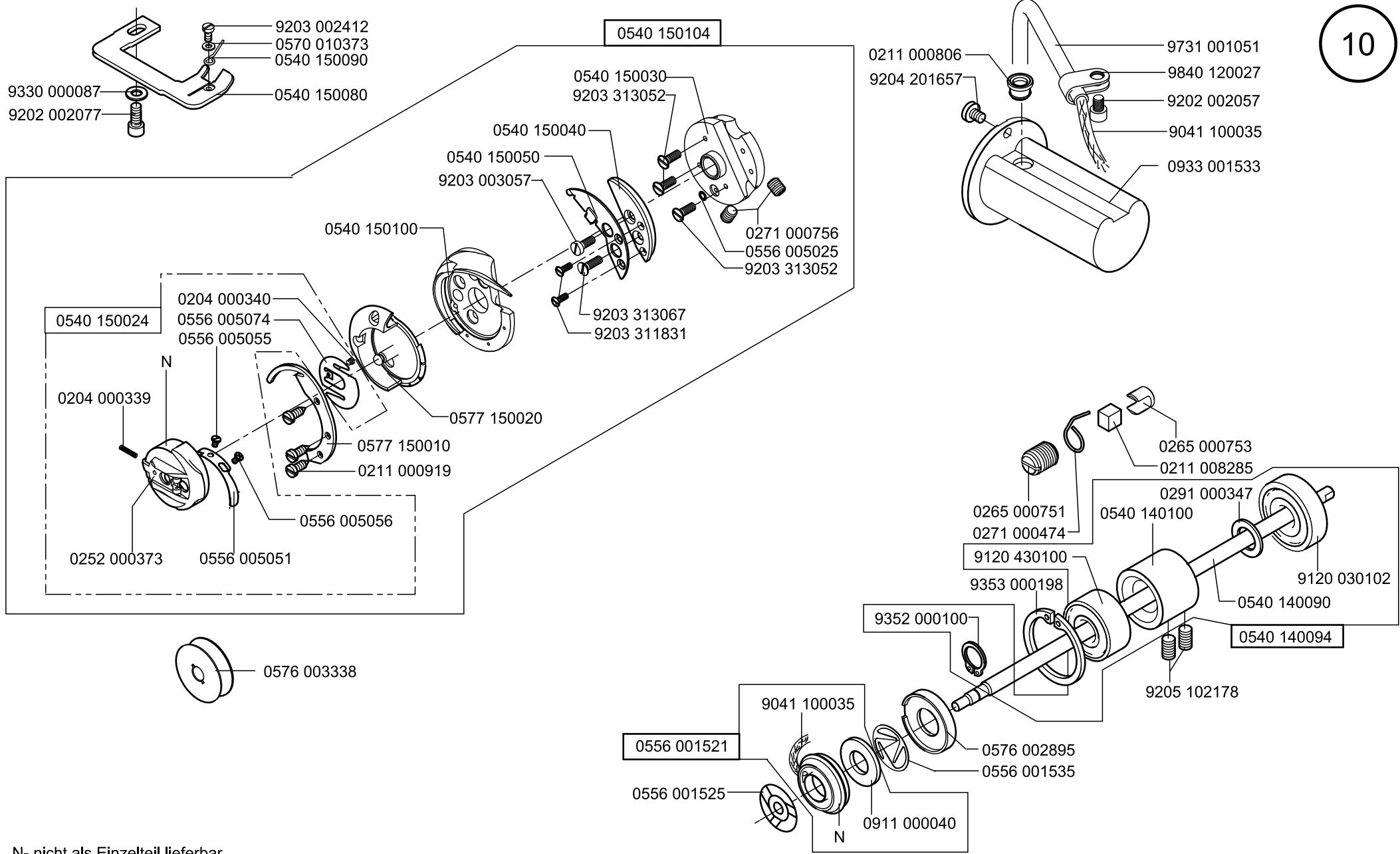
CL. 540 - 100
CL. 540 - 100 -1



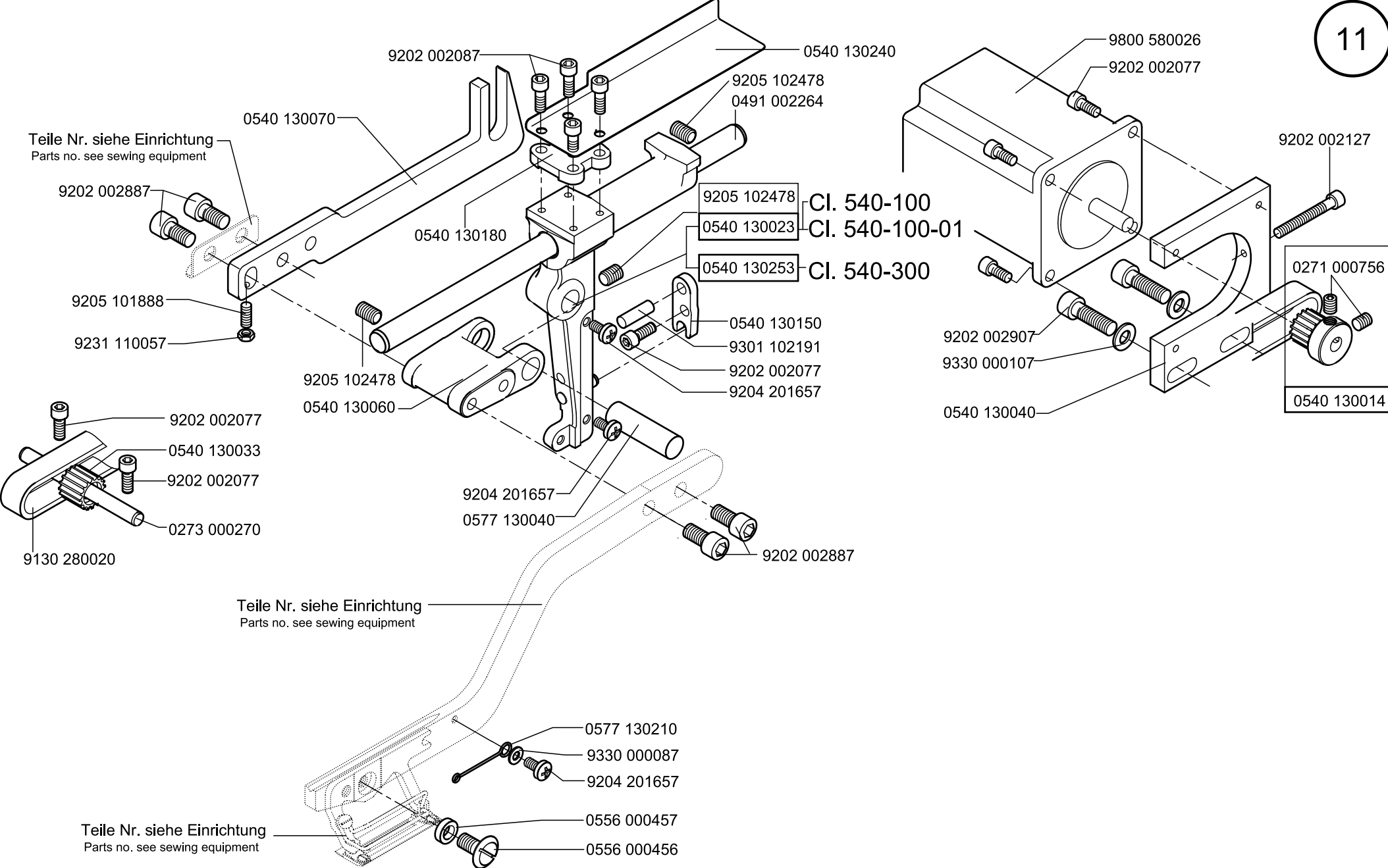
CL. 540 - 300

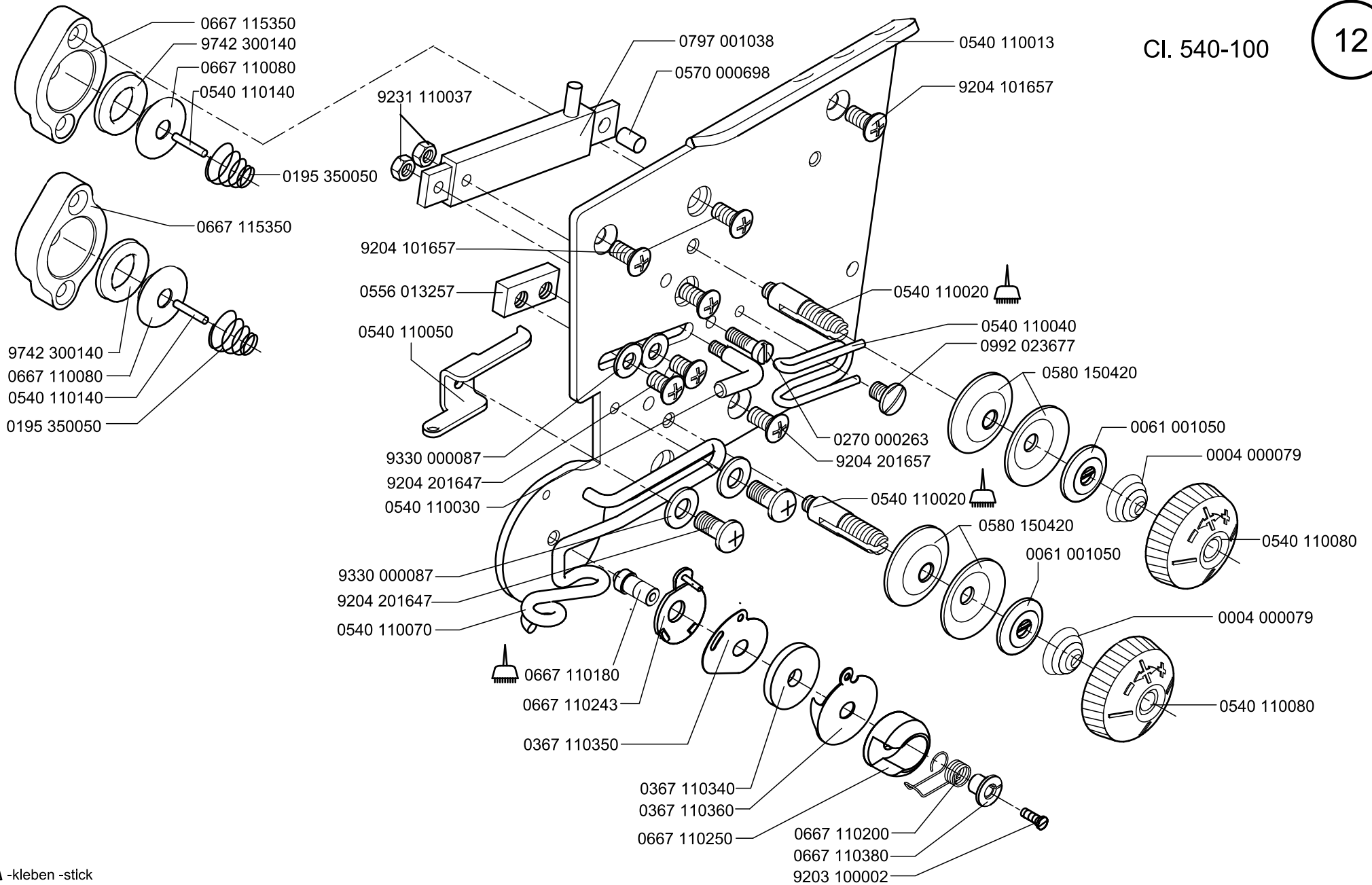





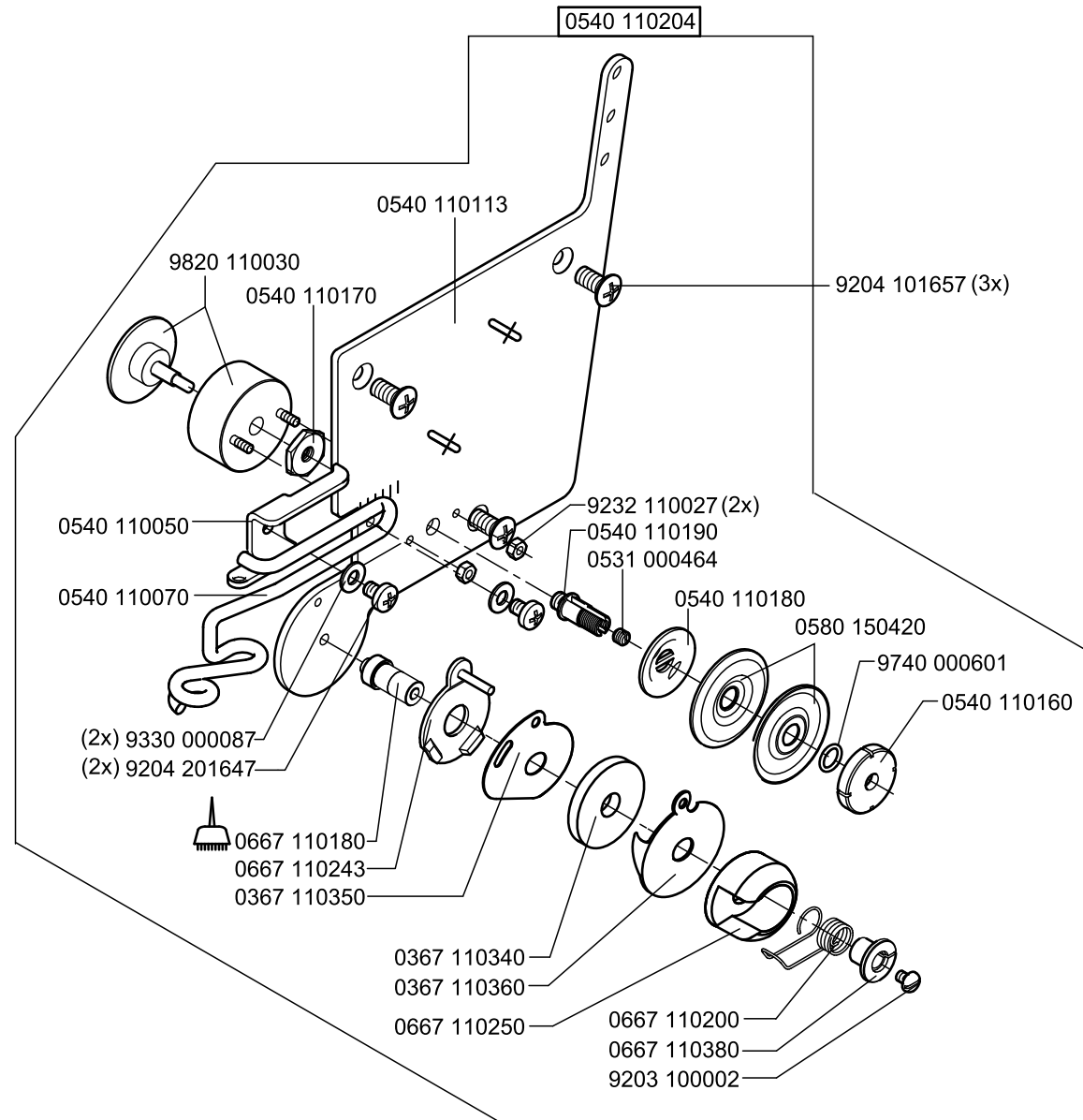


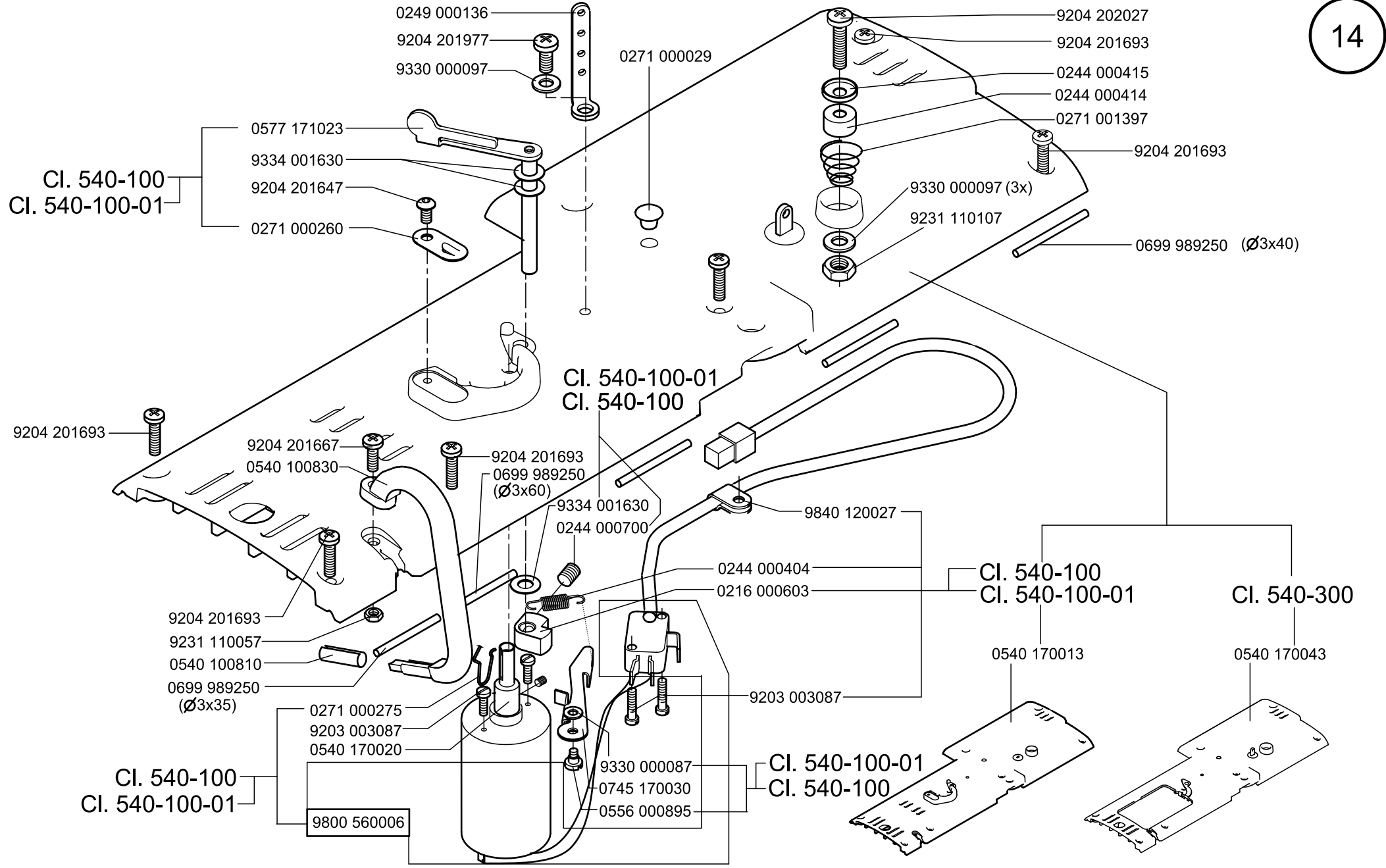
N- nicht als Einzelteil lieferbar
not available as separate part





 -kleben -stick





CI. 540-100
CI. 540-100-01

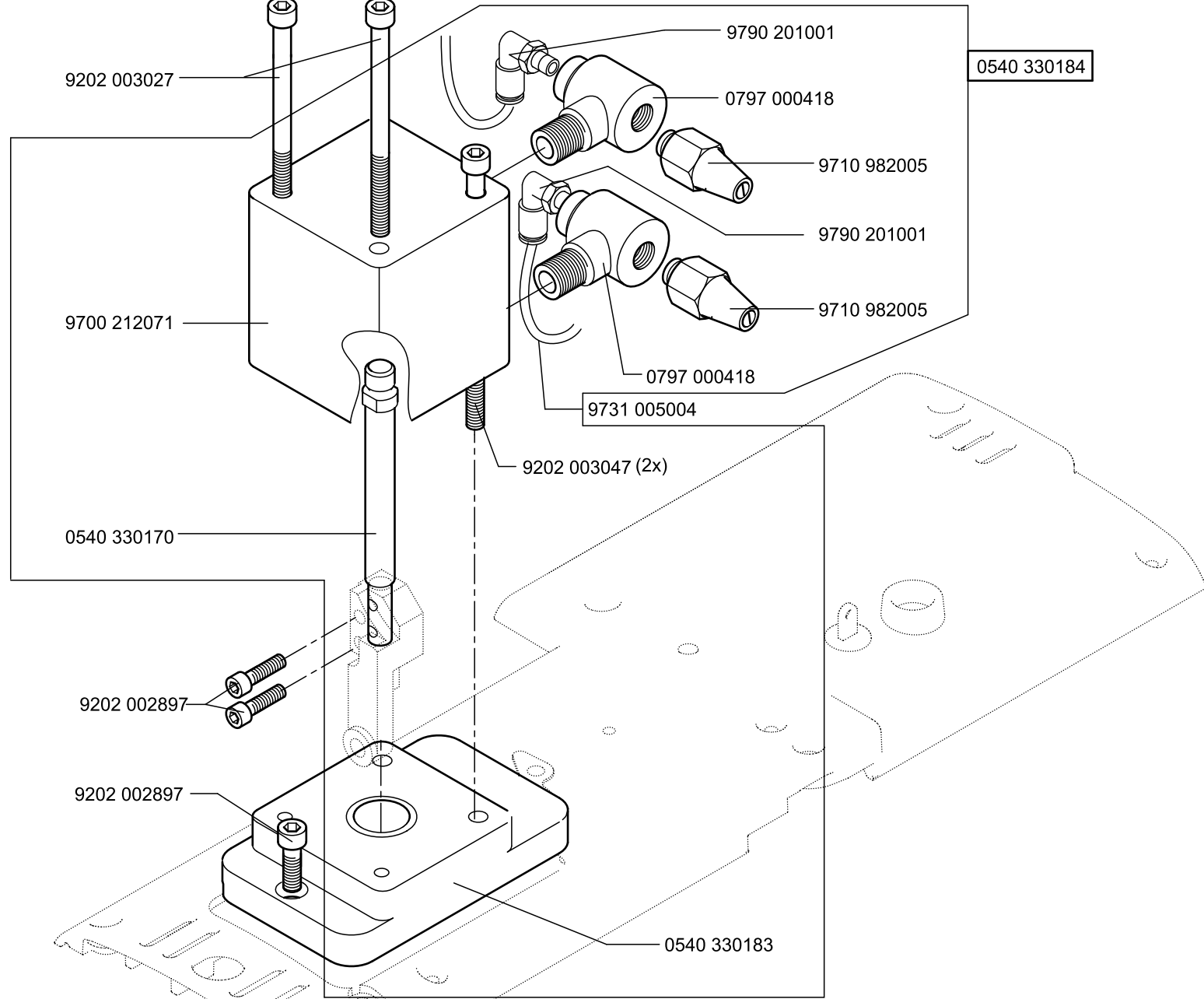
CI. 540-100-01
CI. 540-100

CI. 540-100
CI. 540-100-01

CI. 540-300

CI. 540-100
CI. 540-100-01

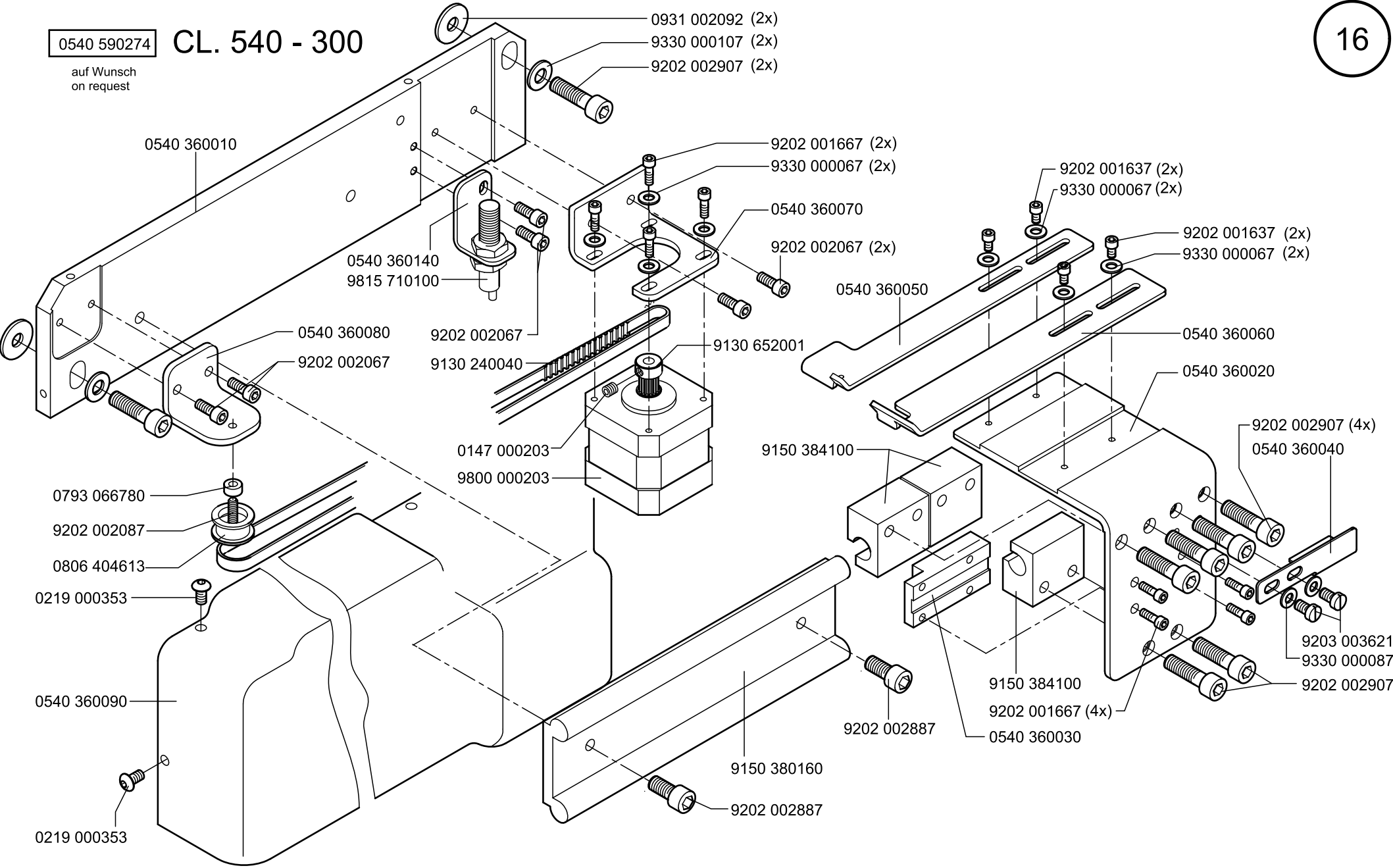
CI. 540-100-01
CI. 540-100

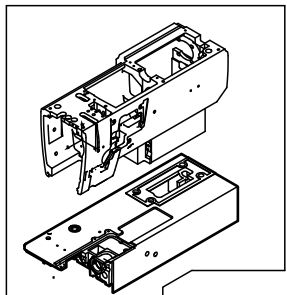


0540 590274

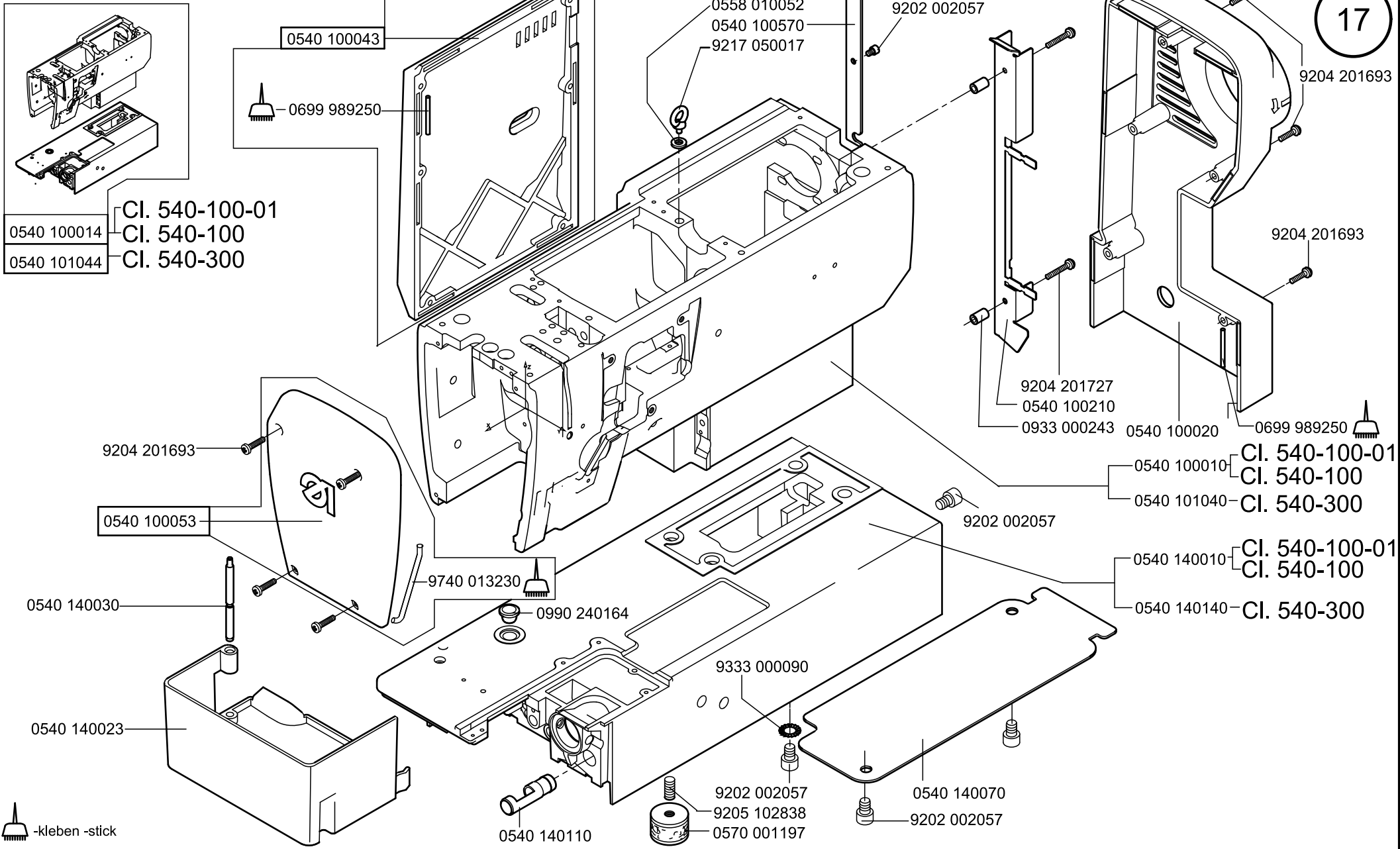
CL. 540 - 300

auf Wunsch
on request

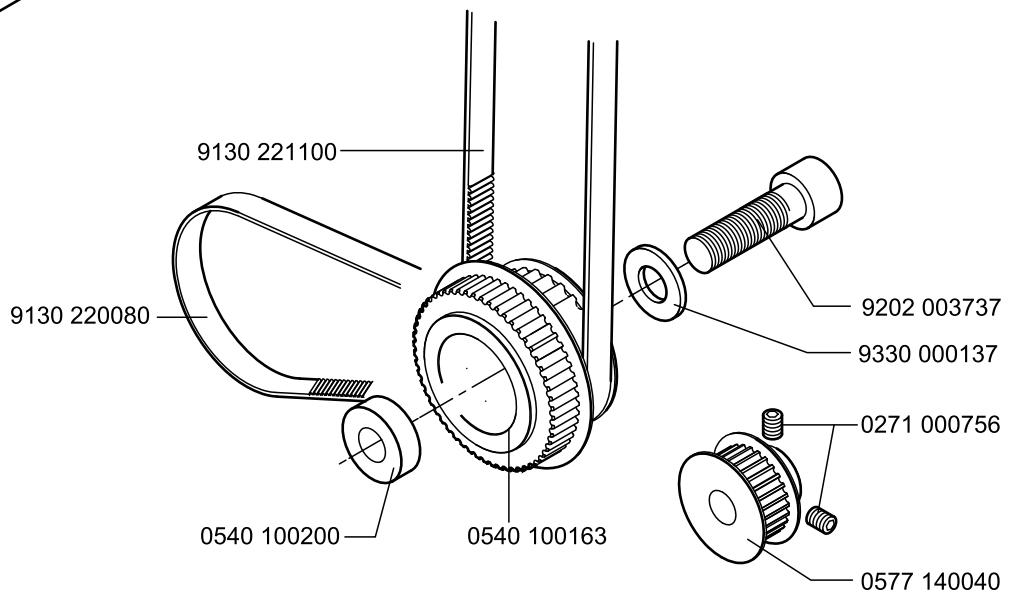
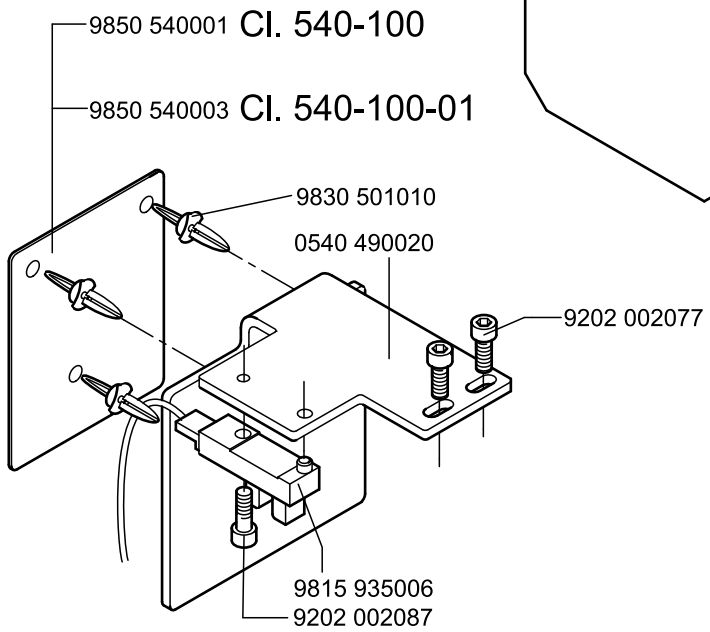
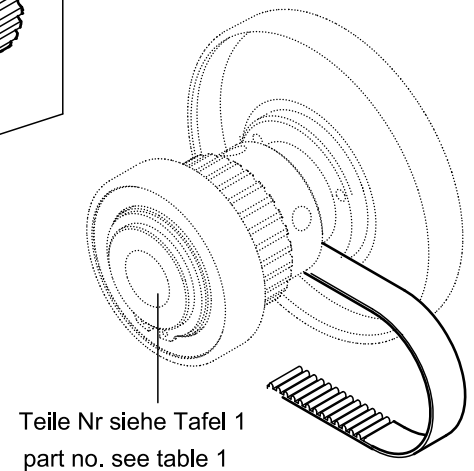
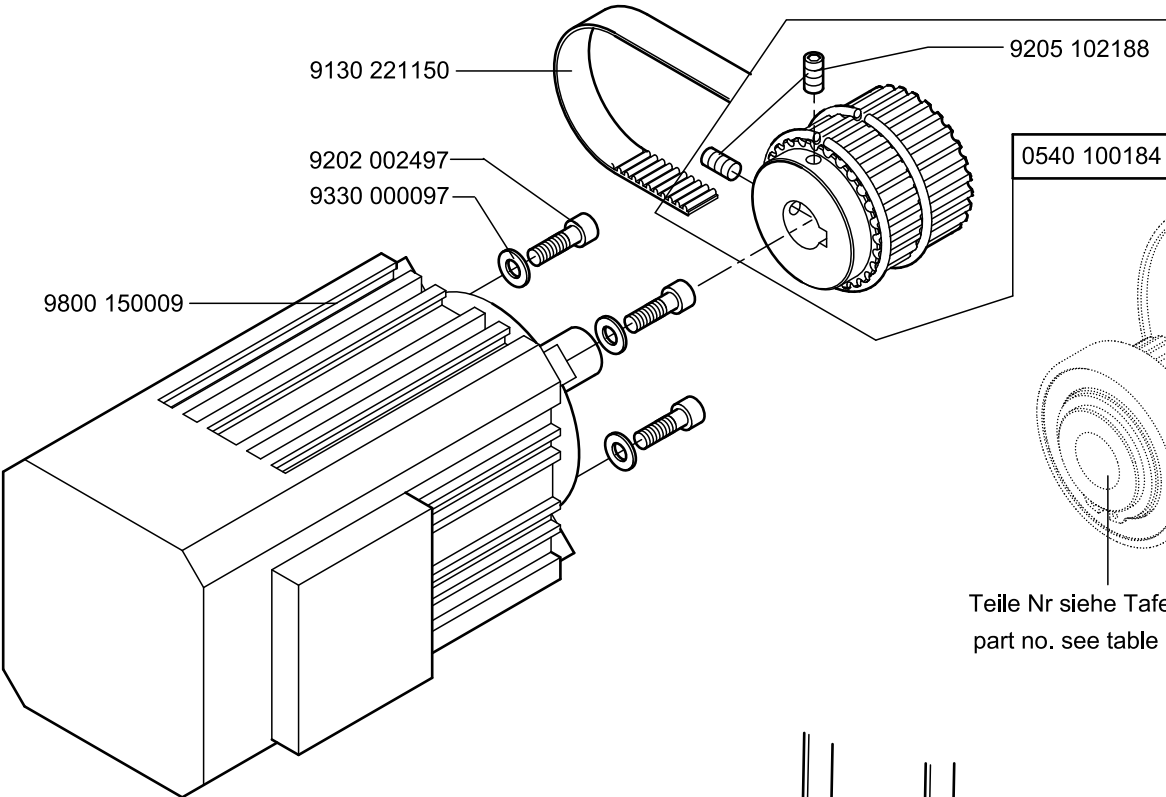


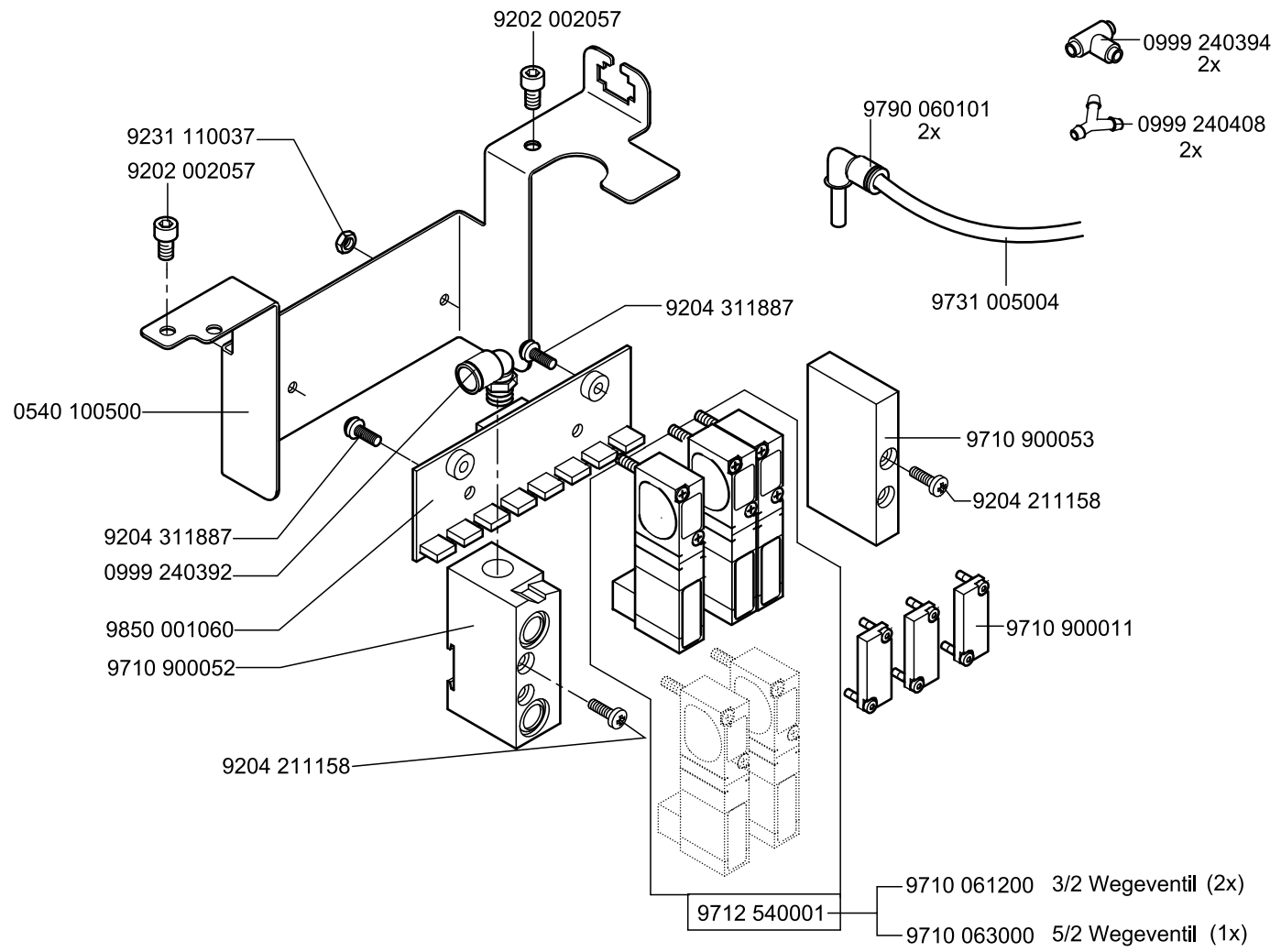


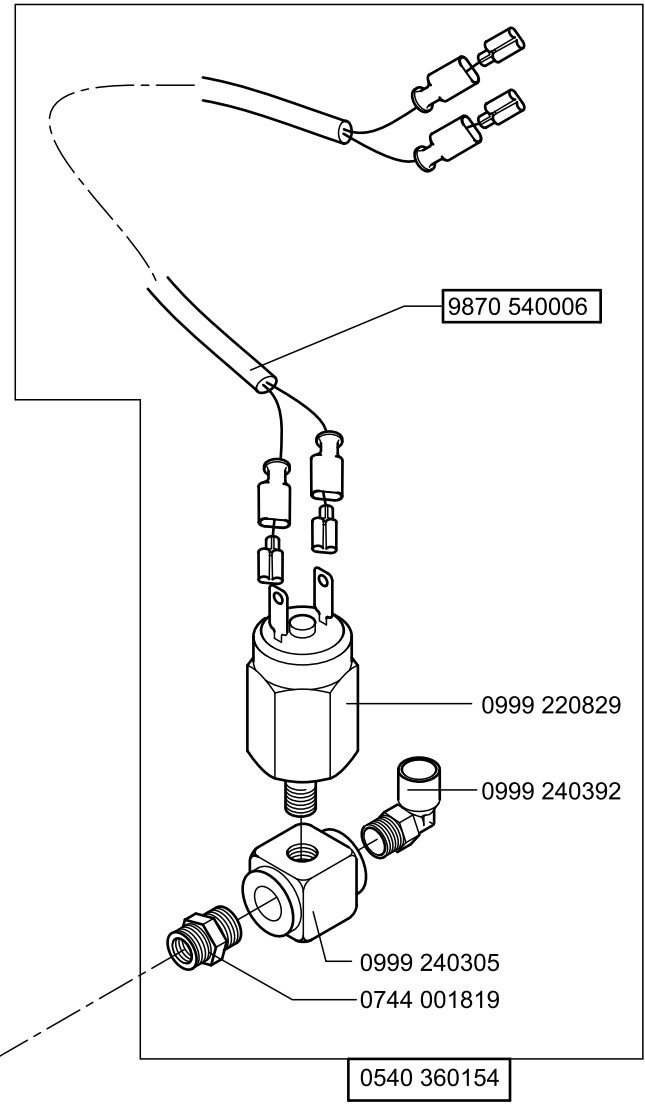
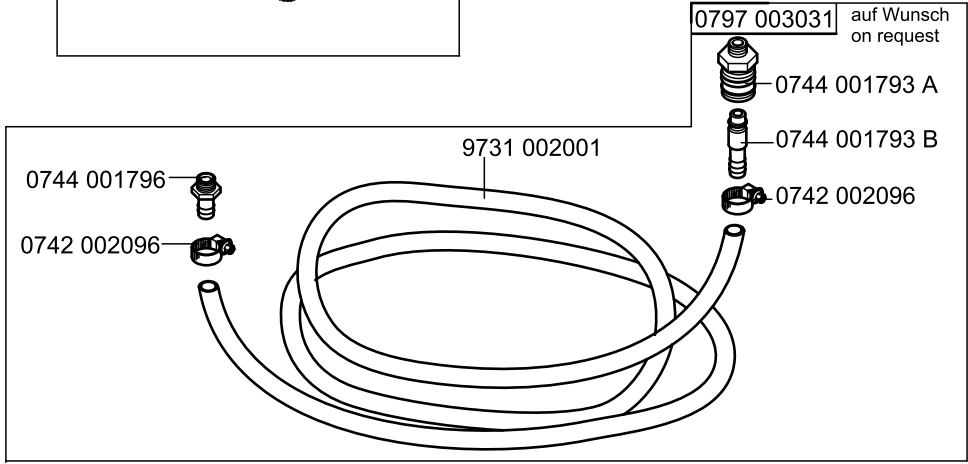
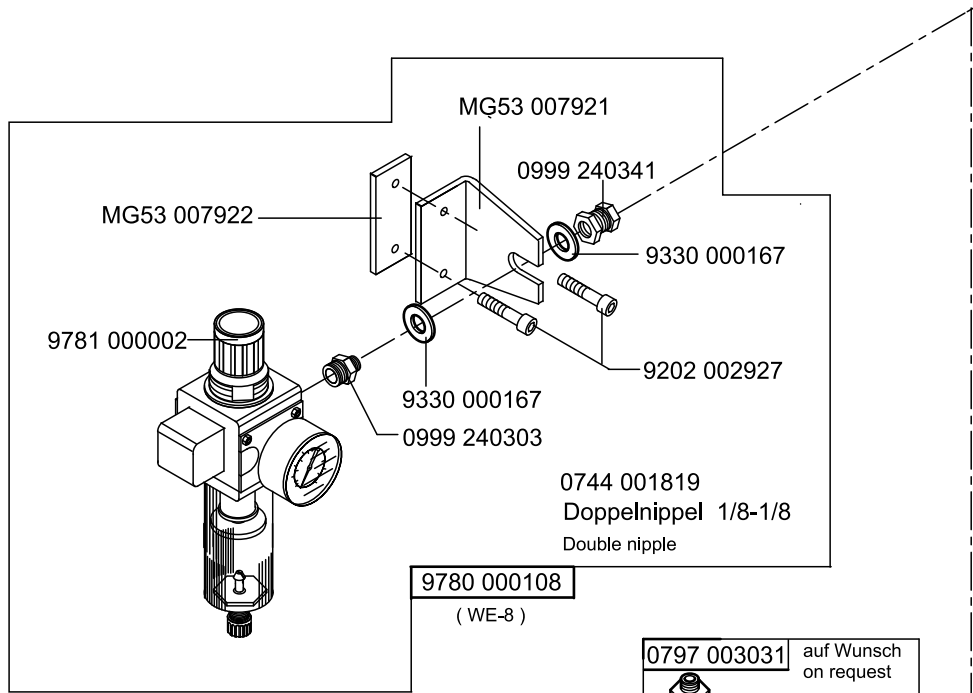
- 0540 100014 CI. 540-100
- 0540 101044 CI. 540-300

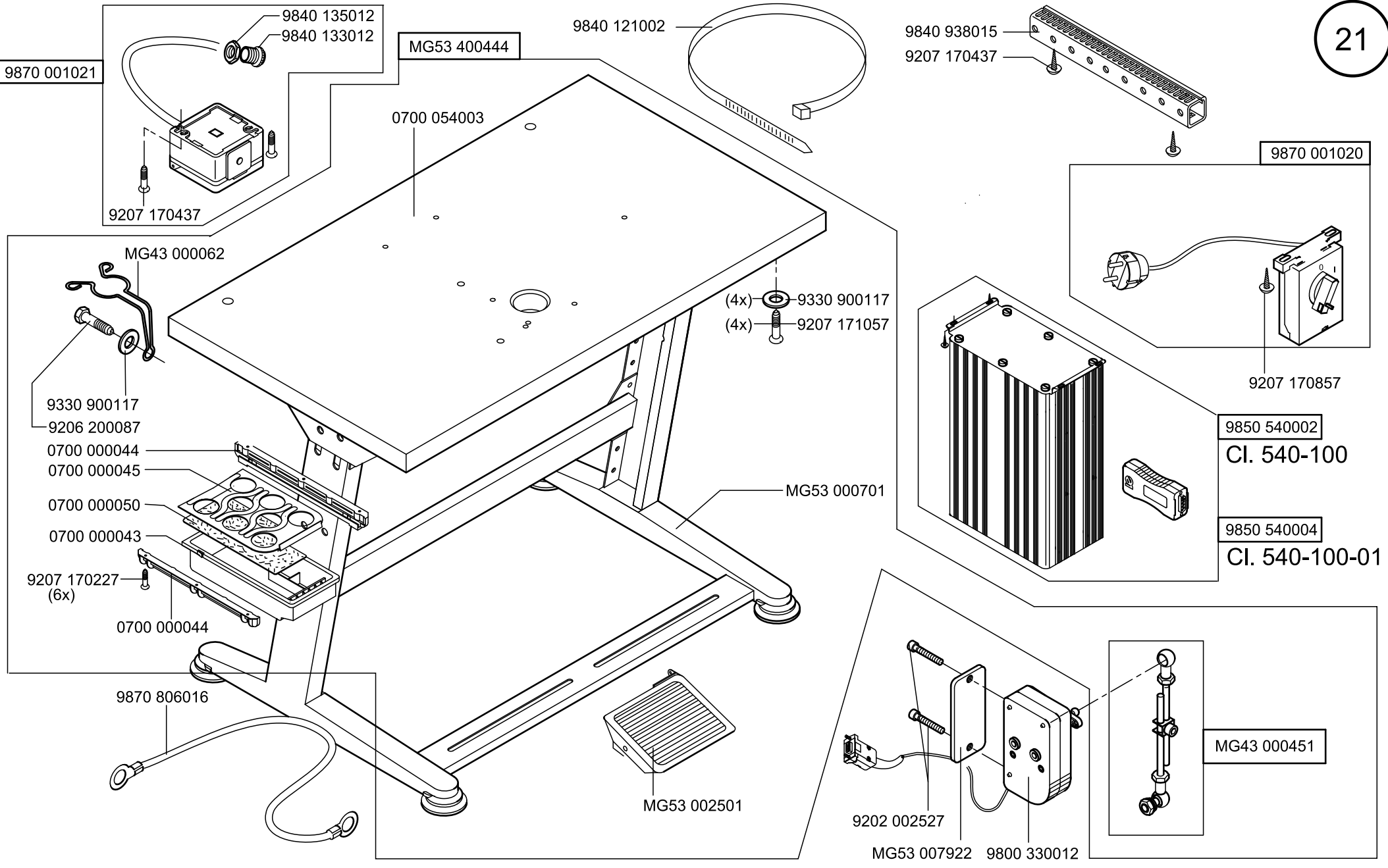


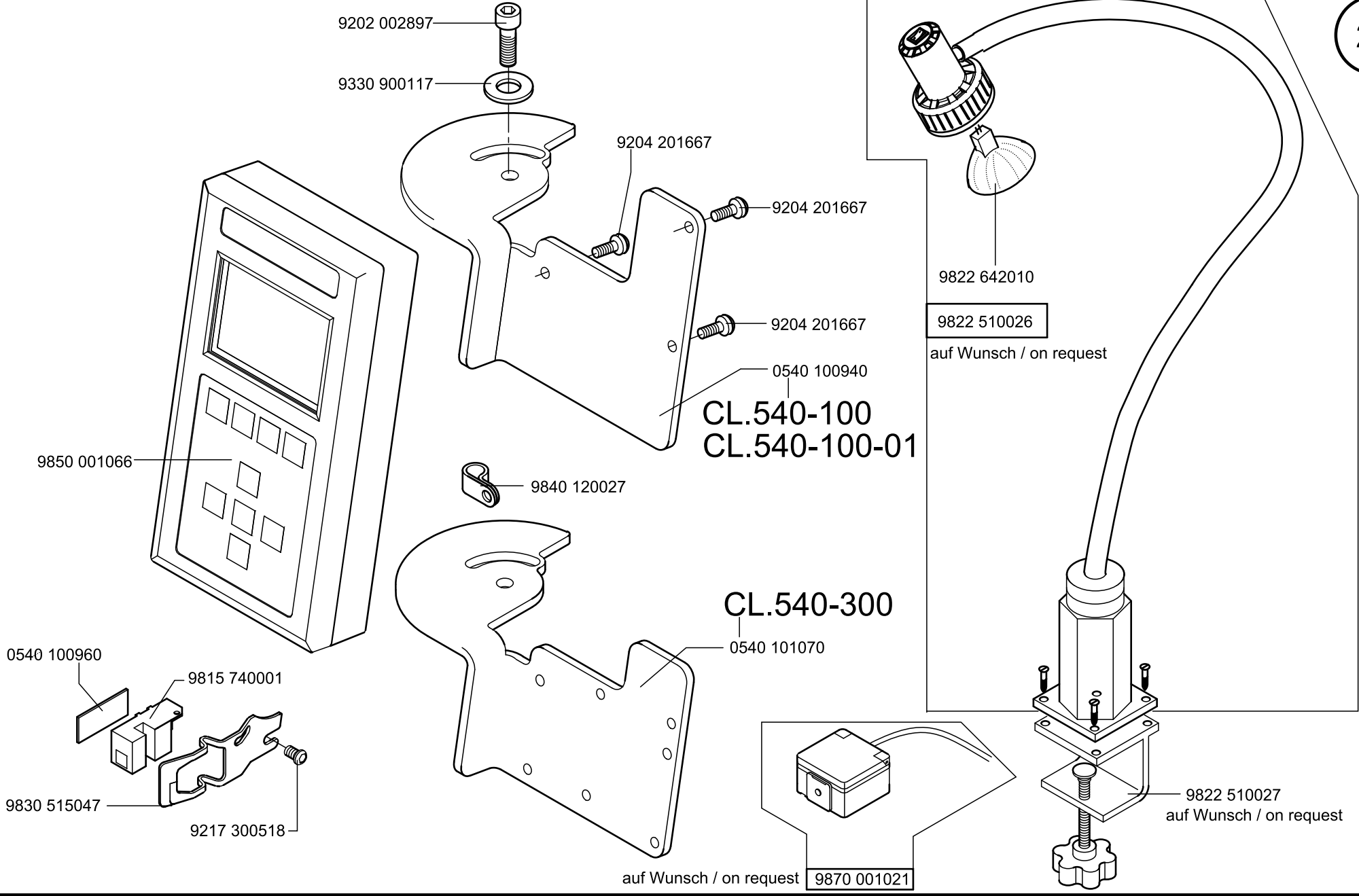
-kleben -stick











CL. 540 - 300

0540 170074

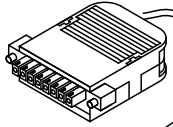
0540 170050

0540 170060

9202 002877

9205 102488

9202 002877



9870 540011

0745 170013

0271 000756

9815 510027

Z118 000627

9840 120025

9330 000067

9202 001658

9850 001058

9203 123687

9203 123687

0271 001391

0244 000415

0244 000414

0271 001398

0271 001392

0271 001397

0271 000275

0244 000404

9334 001630

0244 000700

0216 000603

0540 170020

9205 101548

9201 113277

9202 001658 (4x)

0745 170040

0745 170060

9731 001045

0577 171023

9206 100207

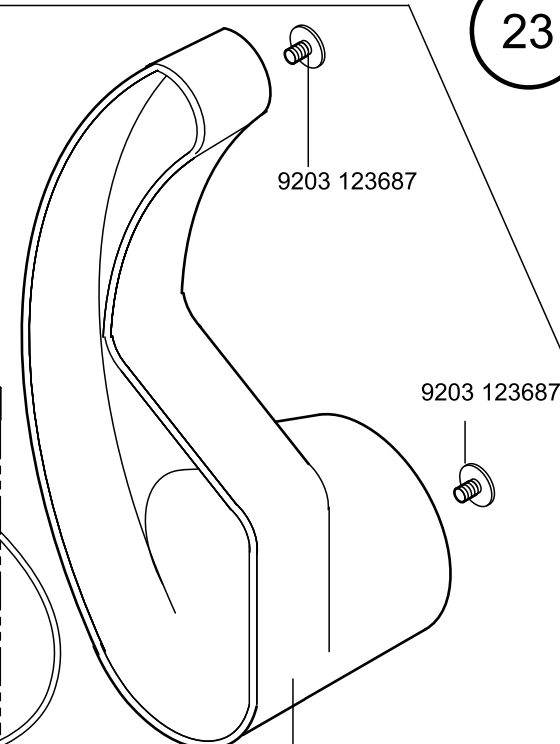
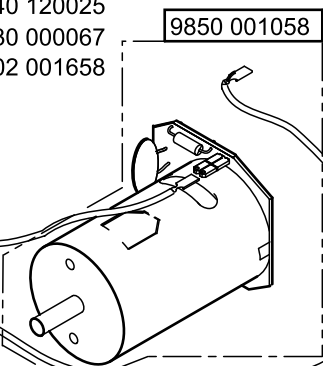
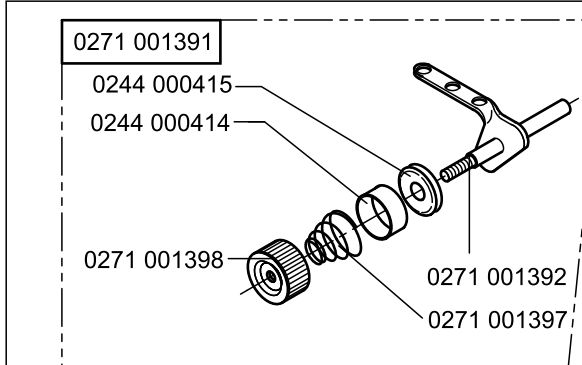
Z120 001815

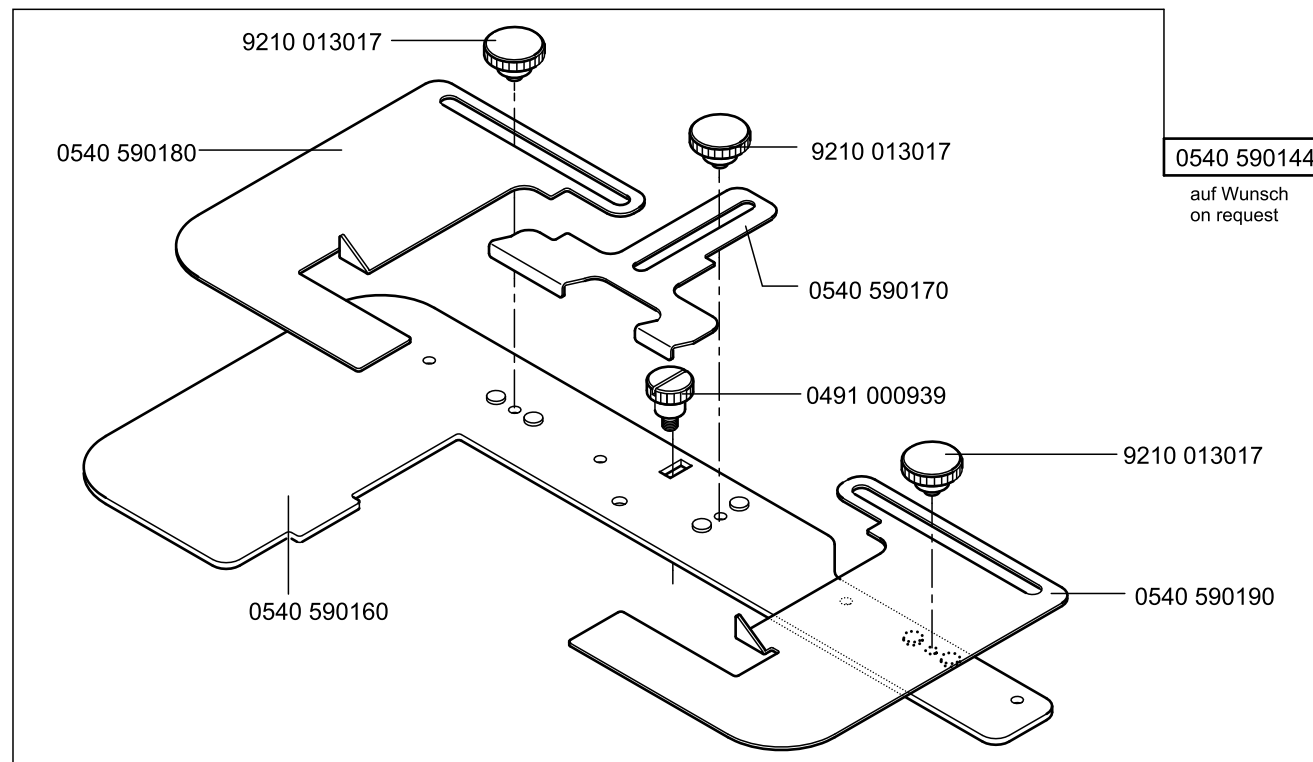
9330 000087

0745 170030

9231 000387

0271 000260

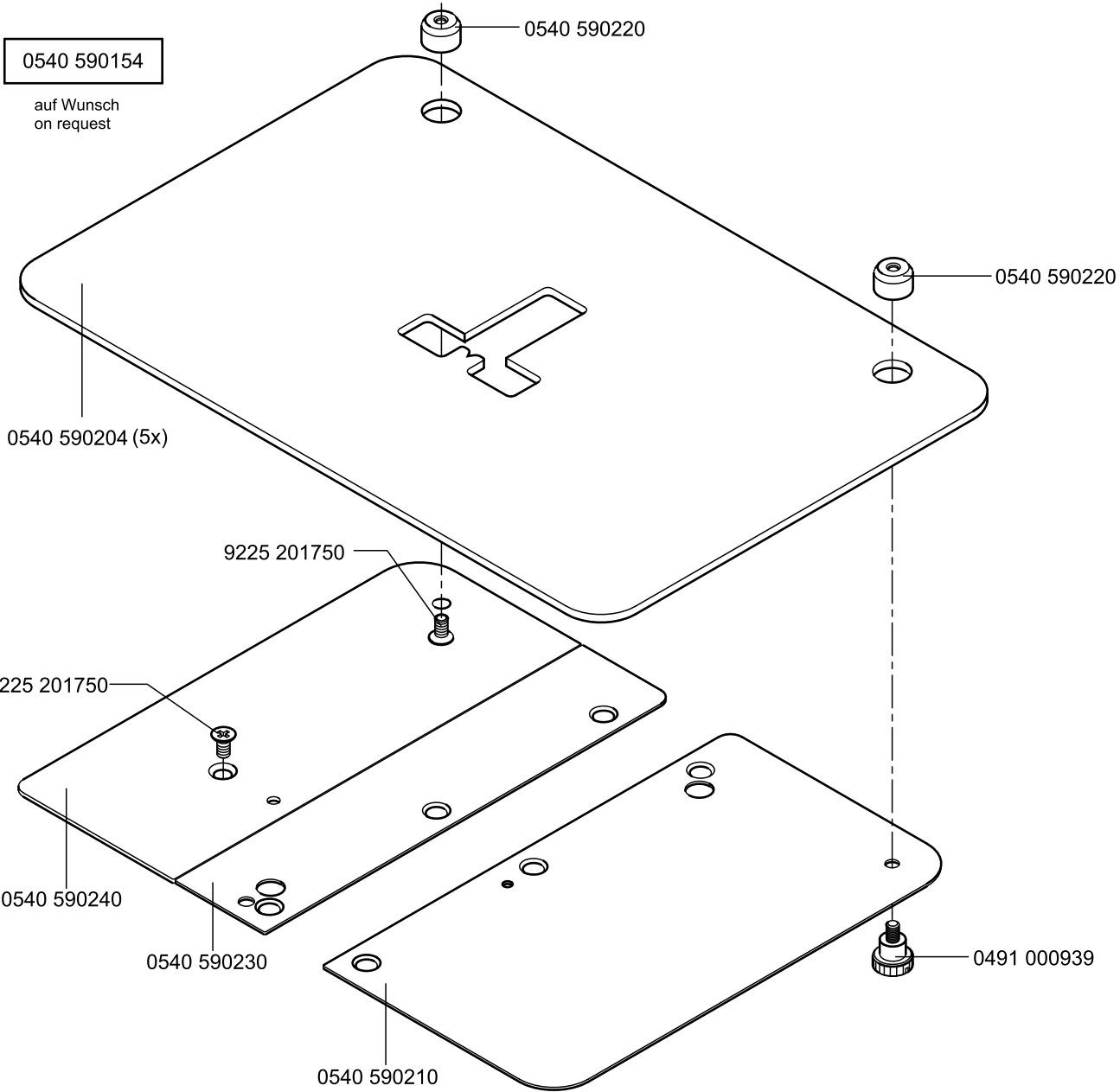




CI. 540-100

0540 590154

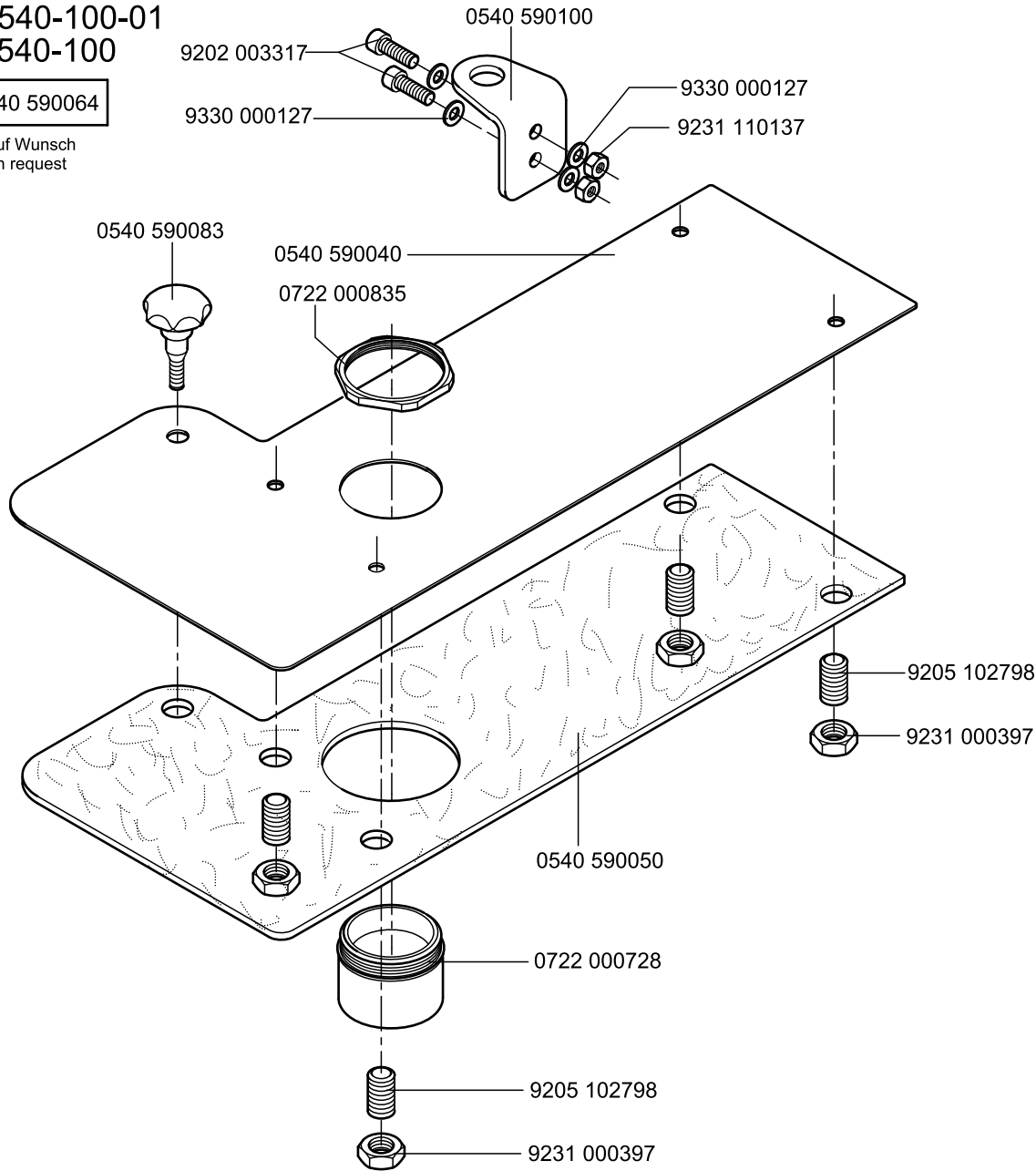
auf Wunsch
on request



Cl. 540-100-01
Cl. 540-100

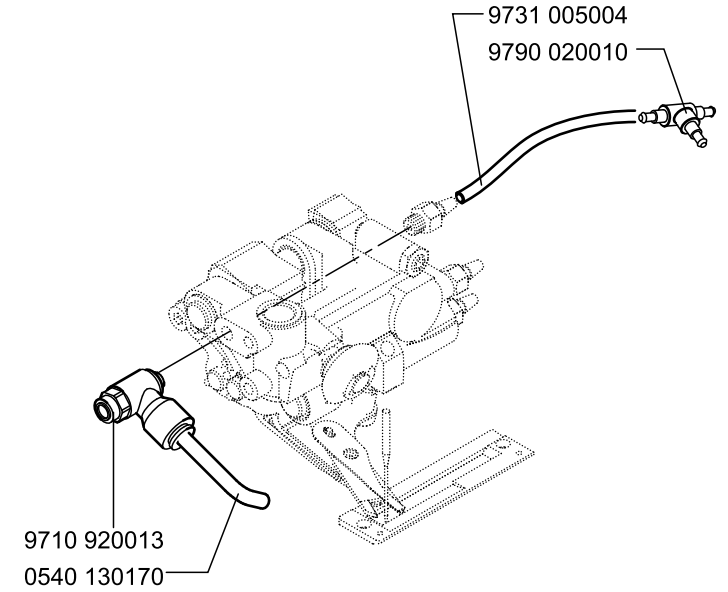
0540 590064

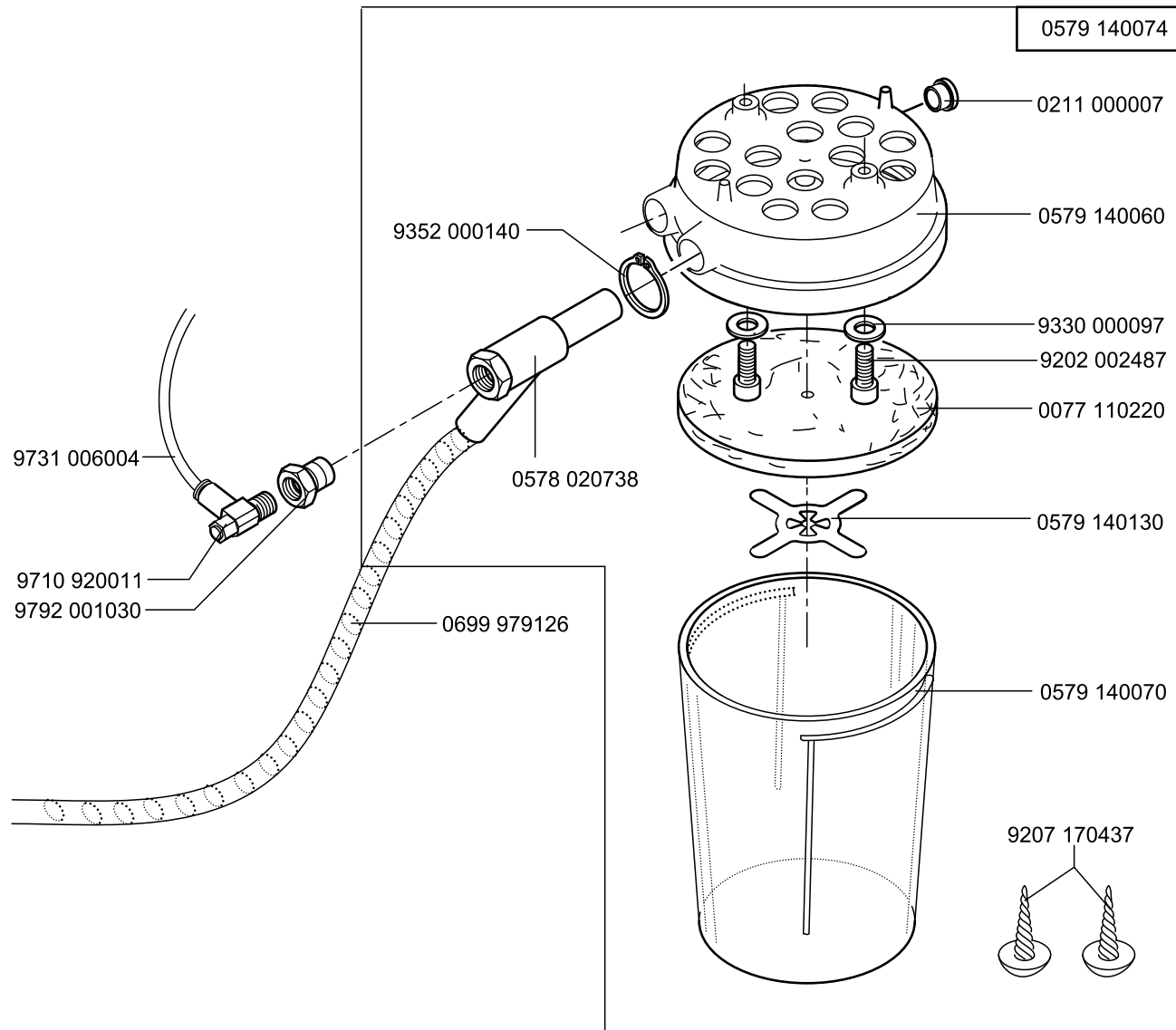
auf Wunsch
on request



0540 590014

auf Wunsch
on request

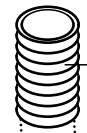




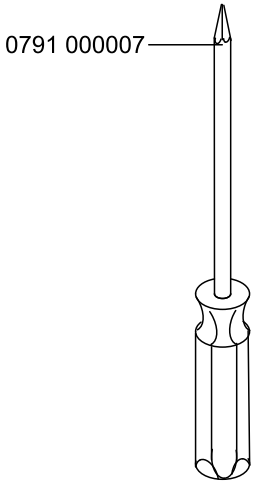
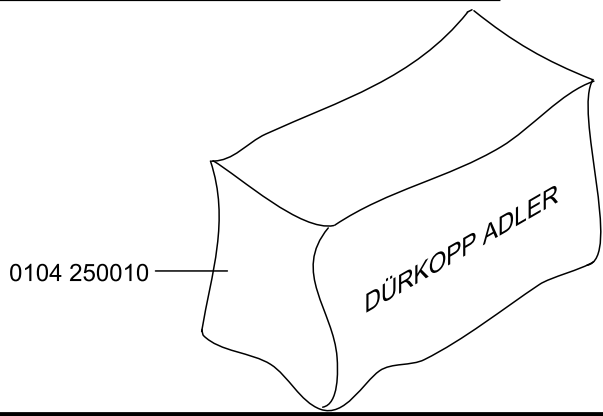
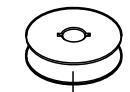
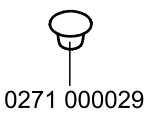
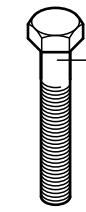
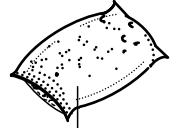
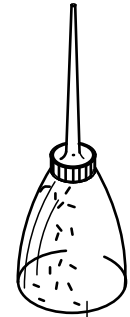
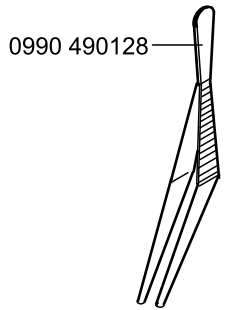
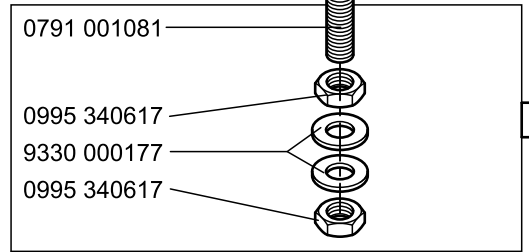
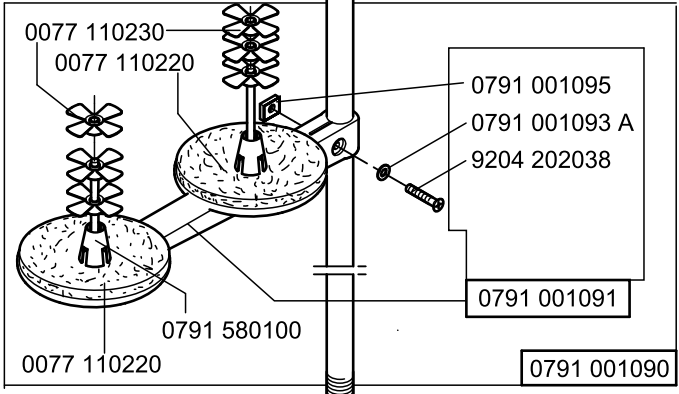
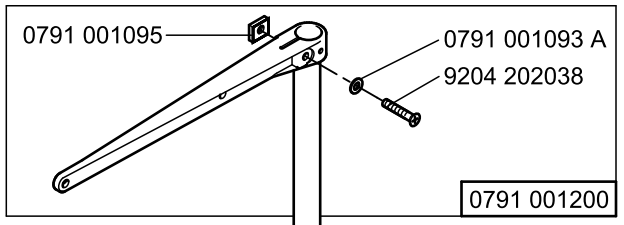
auf Wunsch
on request



9850 540002 GP01
(mit 540 - Software)
(with 540 - software)

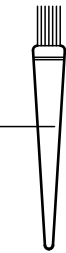


9732 010033



9081 500010

0556 002248



0381 170080

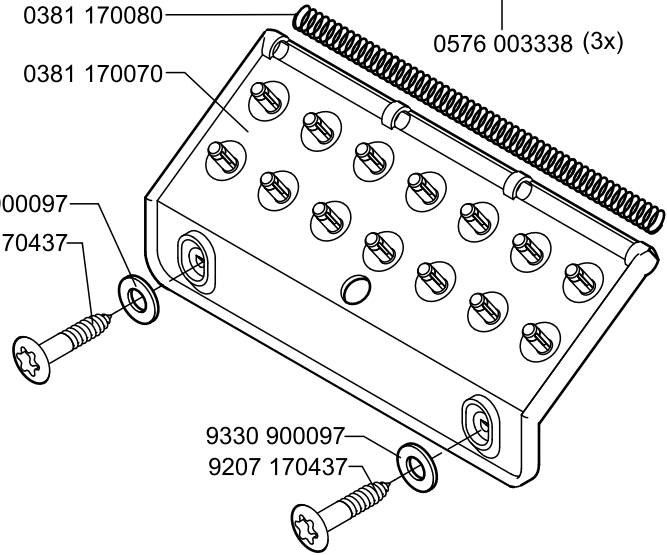
0381 170070

9330 900097

9207 170437

9330 900097

9207 170437



| Teile-Nr./Part-No. | Tafel/Table | Teile-Nr./Part-No. | Tafel/Table | Teile-Nr./Part-No. | Tafel/Table | Teile-Nr./Part-No. | Tafel/Table |
|--------------------|-------------|--------------------|-------------|--------------------|-------------|--------------------|-------------|
| 0004 | 000079 | 12 | | 0244 | 000414 | 14, 23 | |
| 0052 | 000369 | 28 | | 0244 | 000415 | 14, 23 | |
| 0053 | 000350 | 06 | | 0244 | 000700 | 01, 02, 14, 23 | |
| 0061 | 001050 | 12 | | 0249 | 000136 | 14 | |
| 0077 | 110220 | 27, 28 | | 0252 | 000373 | 10 | |
| 0077 | 110230 | 28 | | 0265 | 000008 | 01 | |
| 0104 | 250010 | 28 | | 0265 | 000138 | 04 | |
| 0147 | 000203 | 16 | | 0265 | 000751 | 10 | |
| 0195 | 350050 | 12 | | 0265 | 000753 | 10 | |
| 0204 | 000339 | 10 | | 0270 | 000263 | 12 | |
| 0204 | 000340 | 10 | | 0271 | 000029 | 14, 28 | |
| 0211 | 000007 | 27 | | 0271 | 000119 | 02 | |
| 0211 | 000208 | 02 | | 0271 | 000166 | 04 | |
| 0211 | 000331 | 02 | | 0271 | 000167 | 04 | |
| 0211 | 000391 A | 02 | | 0271 | 000260 | 14, 23 | |
| 0211 | 000394 | 02 | | 0271 | 000275 | 14, 23 | |
| 0211 | 000395 | 02, 05 | | 0271 | 000474 | 10 | |
| 0211 | 000397 | 02 | | 0271 | 000756 | 06, 10, 11, 18, 23 | |
| 0211 | 000398 | 02 | | 0271 | 001391 | 23 | |
| 0211 | 000407 | 02 | | 0271 | 001392 | 23 | |
| 0211 | 000408 | 02 | | 0271 | 001397 | 14, 23 | |
| 0211 | 000412 A | 02 | | 0271 | 001398 | 23 | |
| 0211 | 000439 | 04 | | 0272 | 000141 | 04 | |
| 0211 | 000440 | 04 | | 0272 | 000143 | 04 | |
| 0211 | 000699 | 28 | | 0272 | 000151 | 04 | |
| 0211 | 000806 | 10 | | 0272 | 070153 | 05 | |
| 0211 | 000919 | 10 | | 0272 | 071456 | 03 | |
| 0211 | 000919 A | 08 | | 0273 | 000270 | 11 | |
| 0211 | 000937 | 07 | | 0291 | 000115 | 01 | |
| 0211 | 008285 | 10 | | 0291 | 000347 | 10 | |
| 0212 | 000059 M3 | 02 | | 0367 | 110340 | 12, 13 | |
| 0212 | 000102 | 02 | | 0367 | 110350 | 12, 13 | |
| 0212 | 000152 | 02 | | 0367 | 110360 | 12, 13 | |
| 0212 | 000236 | 04 | | 0381 | 170070 | 28 | |
| 0216 | 000603 | 14, 23 | | 0381 | 170080 | 28 | |
| 0219 | 000353 | 16 | | 0420 | 000362 | 07 | |
| 0223 | 000646 | 02 | | 0422 | 000297 | 01 | |
| 0244 | 000404 | 14, 23 | | 0491 | 000105 | 01 | |
| | | | | 0491 | 000939 | 24 | |
| | | | | 0491 | 002264 | 11 | |
| | | | | 0531 | 000464 | 13 | |
| | | | | 0540 | 100010 | 17 | |
| | | | | 0540 | 100014 | 17 | |
| | | | | 0540 | 100020 | 17 | |
| | | | | 0540 | 100043 | 17 | |
| | | | | 0540 | 100053 | 17 | |
| | | | | 0540 | 100063 | 04 | |
| | | | | 0540 | 100073 | 04 | |
| | | | | 0540 | 100080 | 02 | |
| | | | | 0540 | 100090 | 05 | |
| | | | | 0540 | 100150 | 01 | |
| | | | | 0540 | 100163 | 18 | |
| | | | | 0540 | 100184 | 18 | |
| | | | | 0540 | 100194 | 01 | |
| | | | | 0540 | 100200 | 18 | |
| | | | | 0540 | 100210 | 17 | |
| | | | | 0540 | 100224 | 01 | |
| | | | | 0540 | 100244 | 01 | |
| | | | | 0540 | 100263 | 01 | |
| | | | | 0540 | 100270 | 01 | |
| | | | | 0540 | 100280 | 02 | |
| | | | | 0540 | 100290 | 02 | |
| | | | | 0540 | 100300 | 02 | |
| | | | | 0540 | 100313 | 02 | |
| | | | | 0540 | 100323 | 03 | |
| | | | | 0540 | 100343 | 02 | |
| | | | | 0540 | 100360 | 04 | |
| | | | | 0540 | 100380 | 04 | |
| | | | | 0540 | 100390 | 04 | |
| | | | | 0540 | 100410 | 04 | |
| | | | | 0540 | 100463 | 05 | |
| | | | | 0540 | 100470 | 04 | |
| | | | | 0540 | 100480 | 04 | |
| | | | | 0540 | 100490 | 02 | |
| | | | | 0540 | 100500 | 19 | |
| | | | | 0540 | 100520 | 01, 04 | |
| | | | | 0540 | 100540 | 04 | |
| | | | | 0540 | 100550 | 03 | |
| | | | | 0540 | 100570 | 17 | |
| | | | | 0540 | 100580 | 04 | |
| | | | | 0540 | 100590 | 04 | |
| | | | | 0540 | 100600 | 03 | |
| | | | | 0540 | 100670 | 04 | |
| | | | | 0540 | 100690 | 01 | |
| | | | | 0540 | 100700 | 03 | |
| | | | | 0540 | 100710 | 03 | |
| | | | | 0540 | 100720 | 03 | |
| | | | | 0540 | 100730 | 03 | |
| | | | | 0540 | 100740 | 03 | |
| | | | | 0540 | 100770 | 01 | |
| | | | | 0540 | 100780 | 01 | |
| | | | | 0540 | 100810 | 14 | |
| | | | | 0540 | 100823 | 04 | |
| | | | | 0540 | 100830 | 14 | |
| | | | | 0540 | 100850 | 04 | |
| | | | | 0540 | 100910 | 01 | |
| | | | | 0540 | 100930 | 05 | |
| | | | | 0540 | 100940 | 22 | |
| | | | | 0540 | 100950 | 03 | |
| | | | | 0540 | 100960 | 22 | |
| | | | | 0540 | 100970 | 01 | |
| | | | | 0540 | 100990 | 04 | |
| | | | | 0540 | 101000 | 04 | |
| | | | | 0540 | 101010 | 05 | |
| | | | | 0540 | 101023 | 05 | |
| | | | | 0540 | 101030 | 02 | |
| | | | | 0540 | 101040 | 17 | |
| | | | | 0540 | 101044 | 17 | |
| | | | | 0540 | 101070 | 22 | |
| | | | | 0540 | 101083 | 02 | |
| | | | | 0540 | 110013 | 12 | |
| | | | | 0540 | 110020 | 12 | |
| | | | | 0540 | 110030 | 12 | |
| | | | | 0540 | 110040 | 12 | |

| Teile-Nr./Part-No. | Tafel/Table | Teile-Nr./Part-No. | Tafel/Table | Teile-Nr./Part-No. | Tafel/Table | Teile-Nr./Part-No. | Tafel/Table |
|--------------------|-------------|--------------------|-------------|--------------------|-------------|--------------------|-------------|
| 0540 110050 | 12, 13 | 0540 140130 | 09 | 0540 350220 | 06 | 0540 590064 | 26 |
| 0540 110070 | 12, 13 | 0540 140140 | 17 | 0540 350230 | 07 | 0540 590083 | 26 |
| 0540 110080 | 12 | 0540 150024 | 10 | 0540 350273 | 06 | 0540 590100 | 26 |
| 0540 110113 | 13 | 0540 150030 | 10 | 0540 350274 | 06 | 0540 590144 | 24 |
| 0540 110140 | 12 | 0540 150040 | 10 | 0540 350283 | 06 | 0540 590160 | 24 |
| 0540 110160 | 13 | 0540 150050 | 10 | 0540 350290 | 07 | 0540 590170 | 24 |
| 0540 110170 | 13 | 0540 150080 | 10 | 0540 350300 | 09 | 0540 590180 | 24 |
| 0540 110180 | 13 | 0540 150090 | 10 | 0540 350310 | 09 | 0540 590190 | 24 |
| 0540 110190 | 13 | 0540 150100 | 10 | 0540 350320 | 09 | 0540 590274 | 16 |
| 0540 110204 | 13 | 0540 150104 | 10 | 0540 350340 | 06 | 0556 000148 | 04 |
| 0540 130014 | 11 | 0540 170013 | 14 | 0540 350350 | 06 | 0556 000456 | 11 |
| 0540 130023 | 11 | 0540 170020 | 14, 23 | 0540 350360 | 07 | 0556 000457 | 11 |
| 0540 130033 | 11 | 0540 170043 | 14 | 0540 350370 | 07 | 0556 000545 | 09 |
| 0540 130040 | 11 | 0540 170050 | 23 | 0540 350380 | 08 | 0556 000894 | 06 |
| 0540 130060 | 11 | 0540 170060 | 23 | 0540 350420 | 06 | 0556 000895 | 14 |
| 0540 130070 | 11 | 0540 170074 | 23 | 0540 350453 | 08 | 0556 001521 | 10 |
| 0540 130090 | 09 | 0540 330030 | 05 | 0540 350460 | 08 | 0556 001525 | 10 |
| 0540 130103 | 09 | 0540 330120 | 05 | 0540 350470 | 08 | 0556 001535 | 10 |
| 0540 130123 | 06 | 0540 330160 | 05 | 0540 350480 | 08 | 0556 001687 | 07 |
| 0540 130130 | 06 | 0540 330170 | 15 | 0540 350490 | 06 | 0556 002248 | 28 |
| 0540 130140 | 06 | 0540 330183 | 15 | 0540 350500 | 06 | 0556 005025 | 10 |
| 0540 130150 | 11 | 0540 330184 | 15 | 0540 350513 | 06 | 0556 005051 | 10 |
| 0540 130163 | 09 | 0540 350013 | 08 | 0540 350514 | 06 | 0556 005055 | 10 |
| 0540 130170 | 26 | 0540 350030 | 08 | 0540 360010 | 16 | 0556 005056 | 10 |
| 0540 130180 | 11 | 0540 350040 | 08 | 0540 360020 | 16 | 0556 005074 | 10 |
| 0540 130240 | 11 | 0540 350063 | 07 | 0540 360030 | 16 | 0556 013257 | 12 |
| 0540 130253 | 11 | 0540 350070 | 07 | 0540 360040 | 16 | 0556 014030 | 06 |
| 0540 140010 | 17 | 0540 350080 | 07 | 0540 360050 | 16 | 0558 010052 | 17 |
| 0540 140023 | 17 | 0540 350090 | 07 | 0540 360060 | 16 | 0570 000698 | 12 |
| 0540 140030 | 17 | 0540 350100 | 07 | 0540 360070 | 16 | 0570 001197 | 17 |
| 0540 140060 | 09 | 0540 350110 | 07 | 0540 360080 | 16 | 0570 002136 | 09 |
| 0540 140070 | 17 | 0540 350120 | 07 | 0540 360090 | 16 | 0570 010373 | 10 |
| 0540 140080 | 09 | 0540 350130 | 06 | 0540 360140 | 16 | 0576 001339 | 06 |
| 0540 140090 | 10 | 0540 350150 | 06 | 0540 360154 | 20 | 0576 002895 | 10 |
| 0540 140094 | 10 | 0540 350173 | 06 | 0540 490020 | 18 | 0576 003338 | 10, 28 |
| 0540 140100 | 10 | 0540 350190 | 06 | 0540 590014 | 26 | 0577 130040 | 11 |
| 0540 140110 | 17 | 0540 350200 | 06 | 0540 590040 | 26 | 0577 130100 | 09 |
| 0540 140120 | 09 | 0540 350210 | 06 | 0540 590050 | 26 | 0577 130210 | 11 |

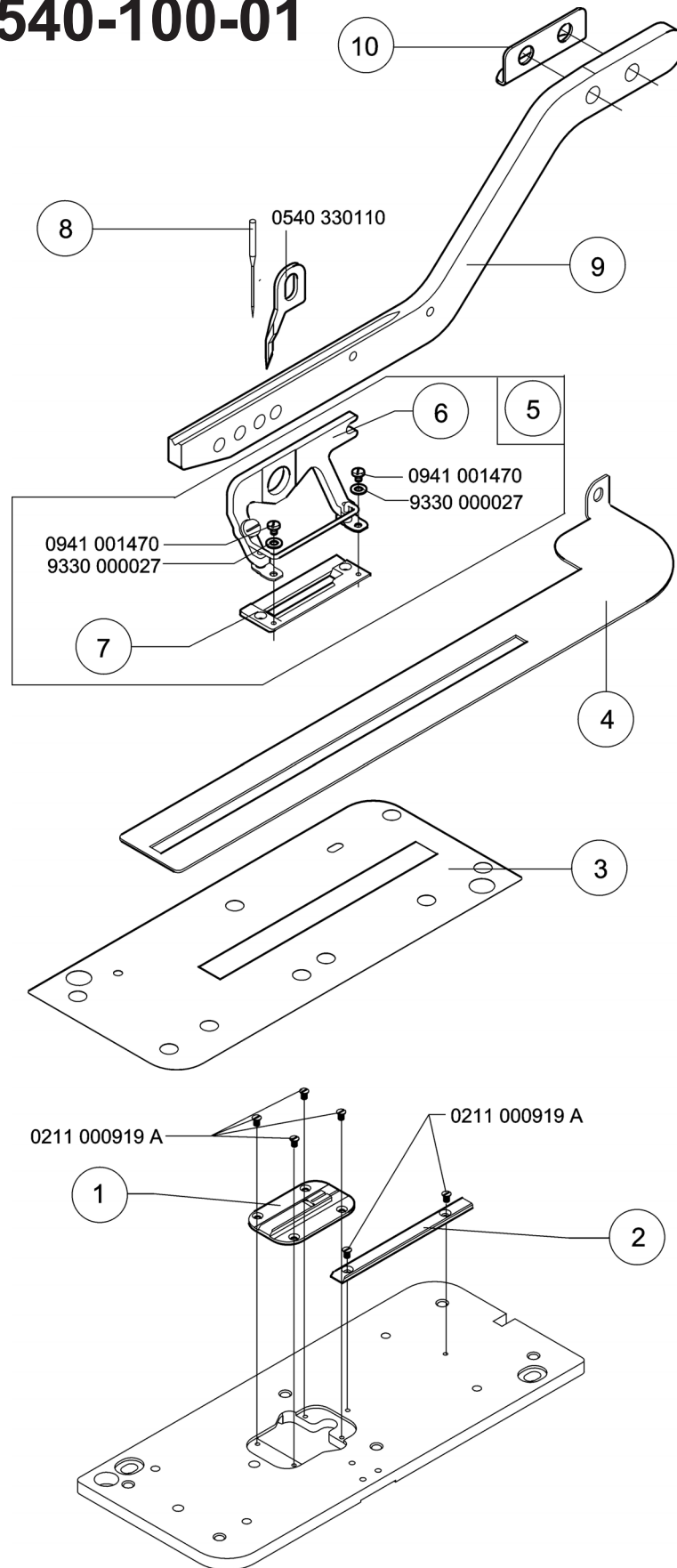
| Teile-Nr./Part-No. | Tafel/Table | Teile-Nr./Part-No. | Tafel/Table | Teile-Nr./Part-No. | Tafel/Table | Teile-Nr./Part-No. | Tafel/Table | | | | |
|--------------------|-------------|--------------------|-------------|--------------------|-------------|--------------------|-------------|--------------------|------|--------|--------------------|
| 0577 | 140040 | 18 | 0744 | 001796 | 20 | 0999 | 240392 | 19, 20 | 9202 | 002497 | 05, 09, 18 |
| 0577 | 150010 | 10 | 0744 | 001819 | 20 | 0999 | 240394 | 19 | 9202 | 002507 | 09 |
| 0577 | 150020 | 10 | 0745 | 170013 | 23 | 0999 | 240408 | 19 | 9202 | 002517 | 09 |
| 0577 | 171023 | 14, 23 | 0745 | 170030 | 14, 23 | 9041 | 100035 | 10 | 9202 | 002527 | 21 |
| 0577 | 350090 | 06 | 0745 | 170040 | 23 | 9041 | 100203 | 01 | 9202 | 002877 | 23 |
| 0577 | 350260 | 09 | 0745 | 170060 | 23 | 9041 | 100300 | 02 | 9202 | 002887 | 11, 16 |
| 0577 | 350290 | 09 | 0791 | 000007 | 28 | 9041 | 102025 | 02 | 9202 | 002897 | 15, 22 |
| 0577 | 350300 | 09 | 0791 | 001081 | 28 | 9081 | 500010 | 28 | 9202 | 002907 | 11, 16 |
| 0577 | 350310 | 09 | 0791 | 001084 | 28 | 9120 | 030102 | 10 | 9202 | 002908 | 03 |
| 0577 | 350350 | 09 | 0791 | 001090 | 28 | 9120 | 030300 | 01 | 9202 | 002927 | 20 |
| 0577 | 350370 | 09 | 0791 | 001091 | 28 | 9120 | 430100 | 10 | 9202 | 003027 | 15 |
| 0578 | 020738 | 27 | 0791 | 001093 A | 28 | 9122 | 210081 | 04 | 9202 | 003047 | 15 |
| 0579 | 140060 | 27 | 0791 | 001095 | 28 | 9126 | 108120 | 03 | 9202 | 003317 | 26 |
| 0579 | 140070 | 27 | 0791 | 001200 | 28 | 9130 | 220080 | 18 | 9202 | 003737 | 18 |
| 0579 | 140074 | 27 | 0791 | 580100 | 28 | 9130 | 221100 | 18 | 9202 | 022068 | 06 |
| 0579 | 140130 | 27 | 0793 | 066780 | 16 | 9130 | 221150 | 18 | 9202 | 042097 | 06 |
| 0580 | 100450 | 01 | 0797 | 000418 | 15 | 9130 | 240040 | 16 | 9202 | 042328 | 09 |
| 0580 | 150420 | 12, 13 | 0797 | 001038 | 12 | 9130 | 280020 | 11 | 9203 | 002412 | 10 |
| 0667 | 110080 | 12 | 0797 | 002016 | 06, 09 | 9130 | 652001 | 16 | 9203 | 002422 | 04, 05 |
| 0667 | 110180 | 12, 13 | 0797 | 003031 | 20 | 9150 | 380160 | 16 | 9203 | 003037 | 07 |
| 0667 | 110200 | 12, 13 | 0806 | 404613 | 16 | 9150 | 384100 | 16 | 9203 | 003047 | 07 |
| 0667 | 110243 | 12, 13 | 0911 | 000040 | 10 | 9190 | 100167 | 01 | 9203 | 003057 | 10 |
| 0667 | 110250 | 12, 13 | 0931 | 002092 | 16 | 9201 | 013797 | 28 | 9203 | 003087 | 14 |
| 0667 | 110380 | 12, 13 | 0933 | 000243 | 17 | 9201 | 112457 | 06 | 9203 | 003621 | 16 |
| 0667 | 115350 | 12 | 0933 | 001533 | 10 | 9201 | 113277 | 23 | 9203 | 003648 | 06 |
| 0699 | 979126 | 27 | 0990 | 240164 | 17 | 9202 | 001637 | 16 | 9203 | 003988 | 07 |
| 0699 | 989250 | 14, 17 | 0990 | 490128 | 28 | 9202 | 001658 | 23 | 9203 | 004031 | 09 |
| 0700 | 000043 | 21 | 0992 | 023677 | 12 | 9202 | 001667 | 16 | 9203 | 100002 | 12, 13 |
| 0700 | 000044 | 21 | 0995 | 340617 | 28 | 9202 | 001698 | 09 | 9203 | 123687 | 23 |
| 0700 | 000045 | 21 | 0996 | 120427 | 09 | 9202 | 002057 | 01, 04, 09, 17, 19 | 9203 | 311831 | 10 |
| 0700 | 000050 | 21 | 0996 | 120497 | 01 | 9202 | 002067 | 01, 05, 16 | 9203 | 313052 | 10 |
| 0700 | 054003 | 21 | 0998 | 880610 | 09 | 9202 | 002077 | 04, 05, 10, 11, 18 | 9203 | 313067 | 10 |
| 0722 | 000728 | 26 | 0998 | 881110 | 09 | 9202 | 002078 | 05 | 9203 | 313671 | 04 |
| 0722 | 000835 | 26 | 0998 | 882510 | 06 | 9202 | 002087 | 01, 05, 11, 16, 18 | 9204 | 101657 | 12, 13 |
| 0742 | 002096 | 20 | 0999 | 220829 | 20 | 9202 | 002107 | 04 | 9204 | 201037 | 04, 08 |
| 0742 | 006076 | 06 | 0999 | 240303 | 20 | 9202 | 002127 | 11 | 9204 | 201647 | 12, 13, 14 |
| 0744 | 001793 A | 20 | 0999 | 240305 | 20 | 9202 | 002467 | 09 | 9204 | 201657 | 08, 09, 10, 11, 12 |
| 0744 | 001793 B | 20 | 0999 | 240341 | 20 | 9202 | 002487 | 27 | 9204 | 201667 | 14, 22 |

| Teile-Nr./Part-No. | Tafel/Table | Teile-Nr./Part-No. | Tafel/Table | Teile-Nr./Part-No. | Tafel/Table | Teile-Nr./Part-No. | Tafel/Table | | | | |
|--------------------|-------------|--------------------|-------------|--------------------|------------------------|--------------------|-------------|------------|------|-------------|----------------|
| 9204 | 201693 | 14, 17 | 9217 | 300528 | 01 | 9352 | 000300 | 01 | 9800 | 560006 | 14 |
| 9204 | 201727 | 17 | 9225 | 201740 | 08 | 9353 | 000198 | 10 | 9800 | 580024 | 04 |
| 9204 | 201777 | 09 | 9231 | 000367 | 06 | 9357 | 000070 | 04, 06 | 9800 | 580026 | 11 |
| 9204 | 201957 | 05 | 9231 | 000387 | 23 | 9357 | 000090 | 03 | 9815 | 510027 | 09, 23 |
| 9204 | 201958 | 05 | 9231 | 000397 | 26 | 9700 | 100095 | 03 | 9815 | 710100 | 16 |
| 9204 | 201967 | 01 | 9231 | 110037 | 12, 19 | 9700 | 212019 | 09 | 9815 | 740001 | 22 |
| 9204 | 201977 | 14 | 9231 | 110057 | 04, 09, 11, 14 | 9700 | 212071 | 15 | 9815 | 935006 | 01, 18 |
| 9204 | 202027 | 14 | 9231 | 110107 | 06, 09, 14 | 9700 | 900301 | 09 | 9820 | 110030 | 13 |
| 9204 | 202038 | 28 | 9231 | 110128 | 01 | 9710 | 061200 | 19 | 9822 | 510026 | 22 |
| 9204 | 202260 | 04 | 9231 | 110137 | 26 | 9710 | 063000 | 19 | 9822 | 510027 | 22 |
| 9204 | 211158 | 19 | 9232 | 110027 | 13 | 9710 | 900011 | 19 | 9822 | 642010 | 22 |
| 9204 | 311887 | 19 | 9301 | 102191 | 11 | 9710 | 900052 | 19 | 9830 | 501010 | 18 |
| 9205 | 023043 | 07 | 9301 | 102881 | 04 | 9710 | 900053 | 19 | 9830 | 515047 | 22 |
| 9205 | 101548 | 23 | 9302 | 000110 | 01 | 9710 | 920011 | 27 | 9840 | 120025 | 23 |
| 9205 | 101848 | 03, 04 | 9330 | 000067 | 09, 16, 23 | 9710 | 920012 | 03, 09 | 9840 | 120026 | 01 |
| 9205 | 101878 | 04, 06 | 9330 | 000087 | 04, 05, 09, 10, 11, 12 | 9710 | 920013 | 26 | 9840 | 120027 | 04, 10, 14, 22 |
| 9205 | 101888 | 11 | | | 13, 14, 16, 23 | 9710 | 982005 | 15 | 9840 | 121002 | 21 |
| 9205 | 102168 | 06, 09 | 9330 | 000097 | 09, 14, 18, 27 | 9712 | 540001 | 19 | 9840 | 133012 | 21 |
| 9205 | 102178 | 09, 10 | 9330 | 000107 | 04, 11, 16 | 9731 | 001045 | 01, 23 | 9840 | 135012 | 21 |
| 9205 | 102188 | 18 | 9330 | 000127 | 26 | 9731 | 001051 | 10 | 9840 | 938015 | 21 |
| 9205 | 102193 | 06 | 9330 | 000137 | 18 | 9731 | 002001 | 20 | 9850 | 001058 | 23 |
| 9205 | 102258 | 06 | 9330 | 000167 | 20 | 9731 | 005004 | 15, 19, 26 | 9850 | 001060 | 19 |
| 9205 | 102477 | 01 | 9330 | 000177 | 28 | 9731 | 006004 | 27 | 9850 | 001066 | 22 |
| 9205 | 102478 | 03, 11 | 9330 | 000887 | 04 | 9731 | 007035 | 02 | 9850 | 540001 | 18 |
| 9205 | 102488 | 23 | 9330 | 900097 | 28 | 9732 | 010033 | 28 | 9850 | 540002 | 21 |
| 9205 | 102538 | 01, 02 | 9330 | 900107 | 07 | 9740 | 000601 | 13 | 9850 | 540002 GP01 | 28 |
| 9205 | 102783 | 01 | 9330 | 900117 | 21, 22 | 9740 | 013230 | 17 | 9850 | 540003 | 18 |
| 9205 | 102798 | 26 | 9330 | 900127 | 28 | 9742 | 300100 | 06 | 9850 | 540004 | 21 |
| 9205 | 102838 | 17 | 9333 | 000090 | 17 | 9742 | 300140 | 12 | 9870 | 001020 | 21 |
| 9206 | 100207 | 23 | 9334 | 000030 | 06 | 9780 | 000108 | 20 | 9870 | 001021 | 21, 22 |
| 9206 | 200087 | 21 | 9334 | 000053 | 07 | 9781 | 000002 | 20 | 9870 | 540006 | 20 |
| 9207 | 170227 | 21 | 9334 | 001630 | 09, 14, 23 | 9790 | 020010 | 26 | 9870 | 540011 | 23 |
| 9207 | 170437 | 21, 27, 28 | 9334 | 001640 | 06 | 9790 | 060101 | 19 | 9870 | 806016 | 21 |
| 9207 | 170857 | 21 | 9351 | 000087 | 03, 04 | 9790 | 201001 | 09, 15 | MG43 | 000062 | 21 |
| 9207 | 171057 | 21 | 9352 | 000060 | 09 | 9792 | 001030 | 27 | MG43 | 000451 | 21 |
| 9210 | 013017 | 24 | 9352 | 000080 | 06 | 9800 | 000203 | 16 | MG53 | 000701 | 21 |
| 9217 | 050017 | 17 | 9352 | 000100 | 09, 10 | 9800 | 150009 | 18 | MG53 | 002501 | 21 |
| 9217 | 300518 | 22 | 9352 | 000140 | 27 | 9800 | 330012 | 21 | MG53 | 007921 | 20 |

| Teile-Nr./Part-No. | Tafel/Table | Teile-Nr./Part-No. | Tafel/Table | Teile-Nr./Part-No. | Tafel/Table | Teile-Nr./Part-No. | Tafel/Table |
|--------------------|-------------|--------------------|-------------|--------------------|-------------|--------------------|-------------|
| MG53 007922 | 20, 21 | | | | | | |
| MG53 400444 | 21 | | | | | | |
| Z118 000627 | 23 | | | | | | |
| Z120 001815 | 23 | | | | | | |

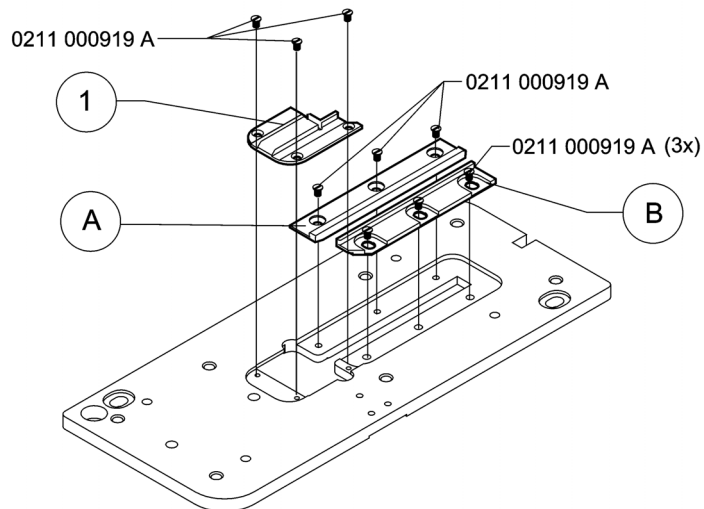
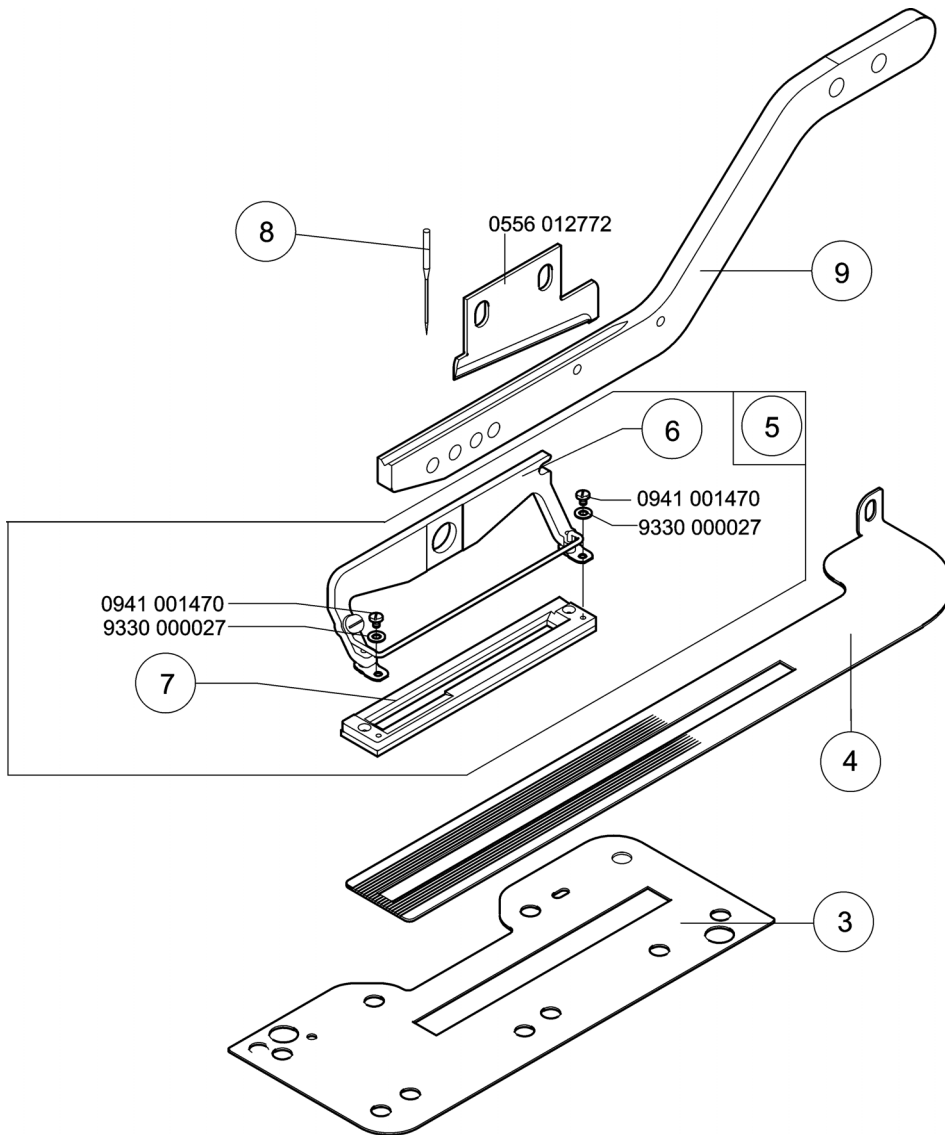


540-100;540-100-01



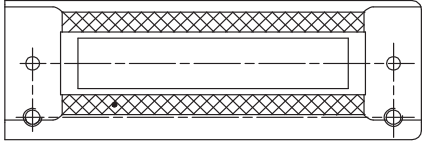


540-300



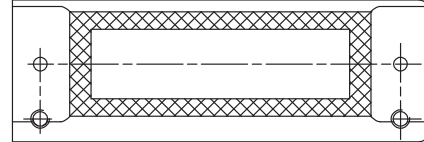


⑦



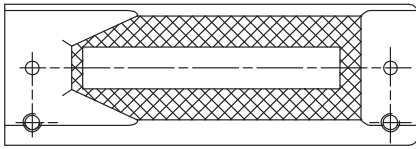
E113/22
E114/22
E114/35

⑦



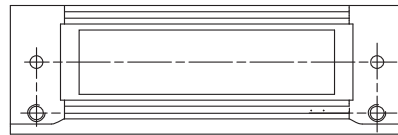
E126/22
E126/35
E126/48
E126/70

⑦



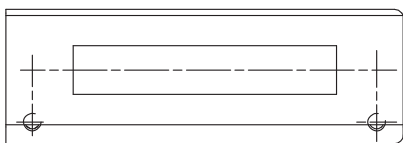
E133/22
E134/22

⑦



E146/22

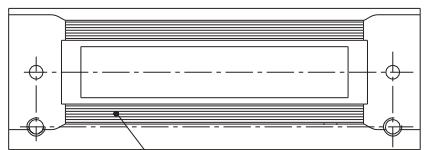
⑦



Zelliges Vulkollan
Cellular Vulkollan

E154/22
E154/35
E156/35

⑦

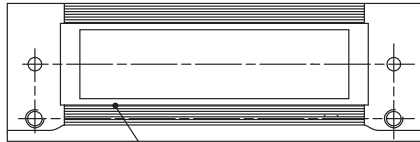


Zahnspitzen gebürstet
Tooth pits brushed

E164/22
E164/35



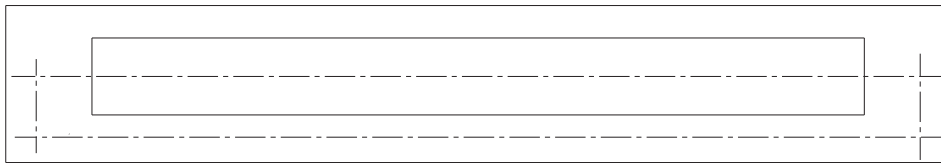
⑦



Zahnspitzen gebürstet
Tooth pits brushed

E166/22
E166/35

⑦



E255/70



| E-Nr. E-No. Abb.-Nr. Fig.No. | Für Unterklasse / For Subclass Verwendungszweck / Use | Material Nr. / Material No. | ① Stichplatte / Throat plate | ② Stichlochgröße / Stitch hole size mm | ③ Stichplattenverlängerung / Throat plate ext. | ④ Gleitblech / Sliding plate mm | ⑤ Transportschieber / Fabric feeder | ⑥ Schutzblech / Guard plate | ⑦ Klammerarm / Clamp arm | ⑧ Stoffrückenkorb K. - Sohle Kreuzverzahn / Cloth presser basket cpl. - Sole cross toothed | ⑨ Stoffrückenkorb K. - Sohle Gummi beschichtet / Cloth presser basket cpl. - Sole rubber coated | ⑩ Drückenkorb / Presser basket | ⑪ Korbhügel / Basket holder | ⑫ Nadel / Needle | ⑬ Nadelsystem / -dicke / Needle system / -size |
|---------------------------------------|--|-----------------------------|---------------------------------|---|---|------------------------------------|--|--------------------------------|-----------------------------|---|--|-----------------------------------|--------------------------------|---------------------|---|
| E113 22 | -100; 100-01 Näheinrichtung für Knopflöcher in Hemden und Blusen, festes Nähgut. Knopflochbreite max. 3 mm. Knopflochlänge max. 22 mm. Sewing equipment for buttonholes in shirts and blouses, closely woven material. Max. buttonhole width 3 mm. Max. buttonhole length 22 mm. | 0540 E00113 22 | 0540 200030 | 3,0 x 1,4 | 0540 200130 | 0540 350250; 0,15 | 0540 210030 | | 0540 130230 | 0540 220324 | | 0540 220320 | 0540 220023 | 9092 026503 080 | 265SES/80 |
| E114 22 | -100; 100-01 Näheinrichtung für Knopflöcher in Hemden und Blusen, festes Nähgut. Knopflochbreite max. 4 mm. Knopflochlänge max. 22 mm. Sewing equipment for buttonholes in shirts and blouses, closely woven material. Max. buttonhole width 4 mm. Max. buttonhole length 22 mm. | 0540 E00114 22 | 0540 200040 | 4,0 x 1,4 | 0540 200140 | 0540 350250; 0,15 | 0540 210040 | | 0540 130230 | 0540 220424 | | 0540 220420 | 0540 220023 | 9092 026503 080 | 265SES/80 |
| E114 35 | -100; 100-01 Näheinrichtung für Knopflöcher in Hemden und Blusen, festes Nähgut. Knopflochbreite max. 4 mm. Knopflochlänge max. 35 mm. Sewing equipment for buttonholes in shirts and blouses, closely woven material. Max. buttonhole width 4 mm. Max. buttonhole length 35 mm. | 0540 E00114 35 | 0540 200040 | 4,0 x 1,4 | 0540 200140 | 0540 350250; 0,15 | 0540 210040 | | 0540 130080 | 0540 220434 | | 0540 220430 | 0540 220033 | 9092 026503 080 | 265SES/80 |
| E126 22 | -100; 100-01 Näheinrichtung für Knopflöcher in Berufsbekleidung, mittelschweres Nähgut. Knopflochbreite max. 6 mm. Knopflochlänge max. 22 mm. Sewing equipment for buttonholes in work wear, medium weight material. Max. buttonhole width 6 mm. Max. buttonhole length 22 mm. | 0540 E00126 22 | 0540 200060 | 6,0 x 1,4 | 0540 200160 | 0540 350260; 0,8 | 0540 210060 | | 0540 130230 | 0540 222624 | | 0540 222620 | 0540 220023 | 9092 026503 090 | 265SES/90 |
| E126 35 | -100; 100-01 Näheinrichtung für Knopflöcher in Berufsbekleidung, mittelschweres Nähgut. Knopflochbreite max. 6 mm. Knopflochlänge max. 35 mm. Sewing equipment for buttonholes in work wear, medium weight material. Max. buttonhole width 6 mm. Max. buttonhole length 35 mm. | 0540 E00126 35 | 0540 200060 | 6,0 x 1,4 | 0540 200160 | 0540 350260; 0,8 | 0540 210060 | | 0540 130080 | 0540 222634 | | 0540 222630 | 0540 220033 | 9092 026503 090 | 265SES/90 |



**Näheinrichtungen
Sewing equipment**

540

Ausgabe
Edition
11.09

Blatt 6
Page

Ersetzt Ausgabe
Replaced edition
01.08

Fortsetzung Blatt 7
Continued page

| E-Nr. E-No. Abb.-Nr. Fig.No. | Für Unterklasse / For Subclass Verwendungszweck / Use | Material Nr. / Material No. | ① Stichplatte / Throat plate | ② Stichlochgröße / Stitch hole size mm | ③ Stichplattenverlängerung / Throat plate ext. | ④ Gleitblech / Sliding plate mm | ⑤ Transportschieber / Fabric feeder | ⑥ Schutzblech / Guard plate | ⑦ Klammerarm / Clamp arm | ⑧ Stoffdrückerkorb K. - Sohle Kreuzverzahnt / Cloth presser basket cpl. - Sole cross toothed | ⑨ Stoffdrückerkorb K. - Sohle Gummi beschichtet / Cloth presser basket cpl. - Sole rubber coated | ⑩ Drückerkorb / Presser basket | ⑪ Korbbügel / Basket holder | ⑫ Nadel / Needle | ⑬ Nadelsystem / -dicke / Needle system / -size |
|---------------------------------------|---|-----------------------------|---------------------------------|---|---|------------------------------------|--|--------------------------------|-----------------------------|---|---|-----------------------------------|--------------------------------|---------------------|---|
| E126 48 | -100; 100-01 Näheinrichtung für Knopflöcher in Berufsbekleidung, mittelschweres Nähgut. Knopflochbreite max. 6 mm. Knopflochlänge max. 48 mm. Sewing equipment for buttonholes in work wear, medium weight material. Max. buttonhole width 6 mm. Max. buttonhole length 48 mm. | 0540 E00126 48 | 0540 200060 | 6,0 x 1,4 | 0540 200160 | 0540 350260; 0,8 | 0540 210060 | 0540 130220 | 0540 130190 | 0540 222644 | | 0540 222640 | 0540 220043 | 9092 026503 090 | 265SES/90 |
| E126 70 | -100; 100-01 Näheinrichtung für Knopflöcher in Gurtdurchführungen in Kinderwagen und Autokindersitzen. Knopflochbreite max. 6 mm. Knopflochlänge max. 70 mm. Sewing equipment for buttonholes in seat belt openings in stroller and infant safety seat. Max. buttonhole width 6 mm. Max. buttonhole length 70 mm. | 0540 E00126 70 | 0540 200060 | 6,0 x 1,4 | 0540 200160 | 0540 350260; 0,8 | 0540 210060 | 0540 130220 | 0540 130190 | 0540 222654 | | 0540 222650 | 0540 220053 | 9092 026503 100 | 265SES/100 |
| E133 22 | -100; 100-01 Näheinrichtung für Knopflöcher in Hemden- und Blusenkragen und Manschetten. Knopflochbreite max. 4 mm. Knopflochlänge max. 35 mm. Sewing equipment for buttonholes in collars of shirts and blouses and cuffs. Max. buttonhole width 4 mm. Max. buttonhole length 35 mm. | 0540 E00133 22 | 0540 200030 | 3,0 x 1,4 | 0540 200130 | 0540 350260; 0,8 | 0540 210030 | 0540 130230 | 0540 130230 | 0540 223324 | | 0540 223320 | 0540 220023 | 9092 026503 080 | 265SES/80 |
| E134 22 | -100; 100-01 Näheinrichtung für Knopflöcher in Hemden- und Blusenkragen und Manschetten. Knopflochbreite max. 4 mm. Knopflochlänge max. 22 mm. Sewing equipment for buttonholes in collars of shirts and blouses and cuffs. Max. buttonhole width 4 mm. Max. buttonhole length 22 mm. | 0540 E00134 22 | 0540 200040 | 4,0 x 1,4 | 0540 200140 | 0540 350260; 0,8 | 0540 210040 | 0540 130230 | 0540 130230 | 0540 223424 | | 0540 223420 | 0540 220023 | 9092 026503 080 | 265SES/80 |

= Änderung / Modification



| E-Nr. E-No. Abb.-Nr. Fig.No. | Für Unterklasse / For Subclass Verwendungszweck / Use | Material Nr. / Material No. | ① Stichplatte / Throat plate | ② Stichlochgröße / Stitch hole size mm | ③ Stichplattenverlängerung / Throat plate ext. | ④ Gleitblech / Sliding plate mm | ⑤ Transportschieber / Fabric feeder | ⑥ Schutzblech / Guard plate | ⑦ Klammerarm / Clamp arm | ⑧ Stoffdrückerkorb K. - Sohle Kreuzverzahnt / Cloth presser basket cpl. - Sole cross toothed | ⑨ Stoffdrückerkorb K. - Sohle Gummi beschichtet / Cloth presser basket cpl. - Sole rubber coated | ⑩ Drückerkorb / Presser basket | ⑪ Korbhügel / Basket holder | ⑫ Nadel / Needle | Nadelssystem / -dicke / Needle system / -size |
|---------------------------------------|---|-----------------------------|---------------------------------|---|---|------------------------------------|--|--------------------------------|-----------------------------|---|---|-----------------------------------|--------------------------------|---------------------|---|
| E146 22 | -100; 100-01 Näheinrichtung für Knopflöcher in Polohemden. Knopflochbreite max. 6 mm. Knopflochlänge max. 22 mm. Sewing equipment for buttonholes in Polo shirts. Max. buttonhole width 6 mm. Max. buttonhole length 22 mm. | 0540 E00146 22 | 0540 200060 | 6,0 x 1,4 | 0540 200160 | 0540 350260; 0,8 | 0540 210060 | | 0540 130230 | 0540 224624 | | 0540 224620 | 0540 220023 | | 9092 026503 090 265SES/90 |
| E154 22 | -100; 100-01 Näheinrichtung für Knopflöcher in DOB, Berufs-, Sport- und Freizeitbekleidung mit Stoffdrückerkorb zum Ausgleich von Höhenunterschieden. Knopflochbreite max. 4 mm. Knopflochlänge max. 22 mm. Sewing equipment for buttonholes in ladies outer wear, work wear, sportswear and casual wear with cloth presser basket compensating the height differences. Max. buttonhole width 4 mm. Max. buttonhole length 22 mm. | 0540 E00154 22 | 0540 200040 | 4,0 x 1,4 | 0540 200140 | 0540 350260; 0,8 | 0540 210140 | | 0540 130230 | 0540 225424 | | 0540 225423 | 0540 220023 | | 9092 026503 080 265SES/80 |
| E154 35 | -100; 100-01 Näheinrichtung für Knopflöcher in DOB, Berufs-, Sport- und Freizeitbekleidung mit Stoffdrückerkorb zum Ausgleich von Höhenunterschieden. Knopflochbreite max. 4 mm. Knopflochlänge max. 35 mm. Sewing equipment for buttonholes in ladies outer wear, work wear, sportswear and casual wear with cloth presser basket compensating the height differences. Max. buttonhole width 4 mm. Max. buttonhole length 35 mm. | 0540 E00154 35 | 0540 200040 | 4,0 x 1,4 | 0540 200140 | 0540 350260; 0,8 | 0540 210140 | | 0540 130080 | 0540 225434 | | 0540 225433 | 0540 220033 | | 9092 026503 080 265SES/80 |

= Änderung / Modification



| E-Nr. E-No. Abb.-Nr. Fig.No. | Für Unterklasse / For Subclass Verwendungszweck / Use | Material Nr. / Material No. | ① Stichplatte / Throat plate | ② Stichlochgröße / Stitch hole size mm | ③ Stichplattenverlängerung / Throat plate ext. | ④ Gleitblech / Sliding plate mm | ⑤ Transportschieber / Fabric feeder | ⑥ Schutzblech / Guard plate | ⑦ Klammerarm / Clamp arm | ⑧ Stoffdrückerkorb K. - Sohle Kreuzverzahnt / Cloth presser basket cpl. - Sole cross toothed | ⑨ Stoffdrückerkorb K. - Sohle Gummi beschichtet / Cloth presser basket cpl. - Sole rubber coated | ⑩ Drückerkorb / Presser basket | ⑪ Korbhügel / Basket holder | ⑫ Nadel / Needle | ⑬ Nadelsystem / -dicke / Needle system / -size |
|---------------------------------------|---|-----------------------------|---------------------------------|---|---|------------------------------------|--|--------------------------------|-----------------------------|---|---|-----------------------------------|--------------------------------|---------------------|---|
| E156 35 | -100; 100-01 Näheinrichtung für Knopflöcher in DOB, Berufs-, Sport- und Freizeitbekleidung mit Stoffdrückerkorb zum Ausgleich von Höhenunterschieden. Knopflochbreite max. 6 mm. Knopflochlänge max. 35 mm. Sewing equipment for buttonholes in ladies outer wear, work wear, sportswear and casual wear with cloth presser basket compensating the height differences. Max. buttonhole width 6 mm. Max. buttonhole length 35 mm. | 0540 E00156 35 | 0540 200060 | 6,0 x 1,4 | 0540 200160 | 0540 350260; 0,8 | 0540 210160 | | 0540 130080 | | 0540 225634 | 0540 225633 | 0540 220033 | 9092 026503 090 | 265SES/90 |
| E164 22 | -100; 100-01 Näheinrichtung für Knopflöcher in Wolle und Wirkware. Mit Korb und Stichplatte für besseres Spannen. Knopflochbreite max. 4 mm. Knopflochlänge max. 22 mm. Sewing equipment for buttonholes in woll and knitted fabrics. With sewing basket and throat plate for a better stretching. Max. buttonhole width 4 mm. Max. buttonhole length 22 mm. | 0540 E00164 22 | 0540 200240 | 4,0 x 1,4 | 0540 200340 | 0540 350250; 0,15 | 0540 210040 | | 0540 130230 | | 0540 226424 | 0540 226420 | | 9092 026503 090 | 265SES/90 |
| E164 35 | -100; 100-01 Näheinrichtung für Knopflöcher in Wolle und Wirkware. Mit Korb und Stichplatte für besseres Spannen. Knopflochbreite max. 4 mm. Knopflochlänge max. 35 mm. Sewing equipment for buttonholes in woll and knitted fabrics. With sewing basket and throat plate for a better stretching. Max. buttonhole width 4 mm. Max. buttonhole length 35 mm. | 0540 E00164 35 | 0540 200240 | 4,0 x 1,4 | 0540 200340 | 0540 350250; 0,15 | 0540 210040 | | 0540 130080 | | 0540 226434 | 0540 226430 | | 9092 026503 090 | 265SES/90 |
| E166 22 | -100; 100-01 Näheinrichtung für Knopflöcher in Wirk- und Strickware. Knopflochbreite max. 6 mm. Knopflochlänge max. 22 mm. Sewing equipment for buttonholes in woven and knitted fabrics. Max. buttonhole width 6 mm. Max. buttonhole length 22 mm. | 0540 E00166 22 | 0540 200260 | 6,0 x 1,4 | 0540 200360 | 0540 350250; 0,15 | 0540 210060 | | 0540 130230 | 0540 226624 | 0540 226620 | 0540 220023 | | 9092 026503 090 | 265SES/90 |



| E-Nr. E-No. Abb.-Nr. Fig.No. | Für Unterklasse / For Subclass Verwendungszweck / Use | Material Nr. / Material No. | ① Stichplatte / Throat plate | ② Stichlochgröße / Stitch hole size mm | ③ Stichplattenverlängerung / Throat plate ext. | ④ Messerplatte / Knife plate | ⑤ Gegenhalter / Counter holder | ⑥ Gleitblech / Sliding plate mm | ⑦ Transportschieber / Fabric feeder | ⑧ Schutzblech / Guard plate | ⑨ Klammerarm / Clamp arm | ⑩ Stoffrückenkorb K. - Sohle Kreuzverzahnt / Cloth presser basket cpl. - Sole cross toothed | ⑪ Stoffrückenkorb K. - Sohle Gummi beschichtet / Cloth presser basket cpl. - Sole rubber coated | ⑫ Drückerkorb / Presser basket | ⑬ Korbhügel / Basket holder | ⑭ Nadel / Needle | Nadelsystem / -dicke / Needle system / -size |
|---------------------------------------|---|-----------------------------|---------------------------------|---|---|---------------------------------|-----------------------------------|------------------------------------|--|--------------------------------|-----------------------------|--|--|-----------------------------------|--------------------------------|---------------------|--|
| E166 35 | -100; 100-01 Näheinrichtung für Knopflöcher in Wirk- und Strickware. Knopflochbreite max. 6 mm. Knopflochlänge max. 35 mm. Sewing equipment for buttonholes in woven and knitted fabrics. Max. buttonhole width 6 mm. Max. buttonhole length 35 mm. | 0540 E00166 35 | 0540 200260 | 6,0 x 1,4 | 0540 200360 | | | 0540 350250; 0,15 | 0540 210060 | | 0540 130080 | 0540 226634 | | 0540 226630 | 0540 220033 | | 9092 026503 090 265SES/90 |
| E255 70 | -300 Korb und Stichplatte zum Nähen zum Ablängen und Versäubern von Haken- und Ösenbändern. Trensebreite max. 5 mm Trensenlänge max. 70 mm Sewing basket and throat plate for sewing, and trimming of hook and eyelet band. Max. snaffle-shaped tack width 5 mm Max. snaffle-shaped tack length 70 mm | 540 E00255 70 | 0540 200100 | 6,0 x 1,4 | | 0540 330140 | 0540 330150 | 0540 350430; 0,8 | 0540 210100 | | 0540 130190 | | 0540 225554 | 0540 225553 | 0540 220053 | | 9092 026503 080 265SES/80 |